

FREEDOM RETRACTABLE SCREENS

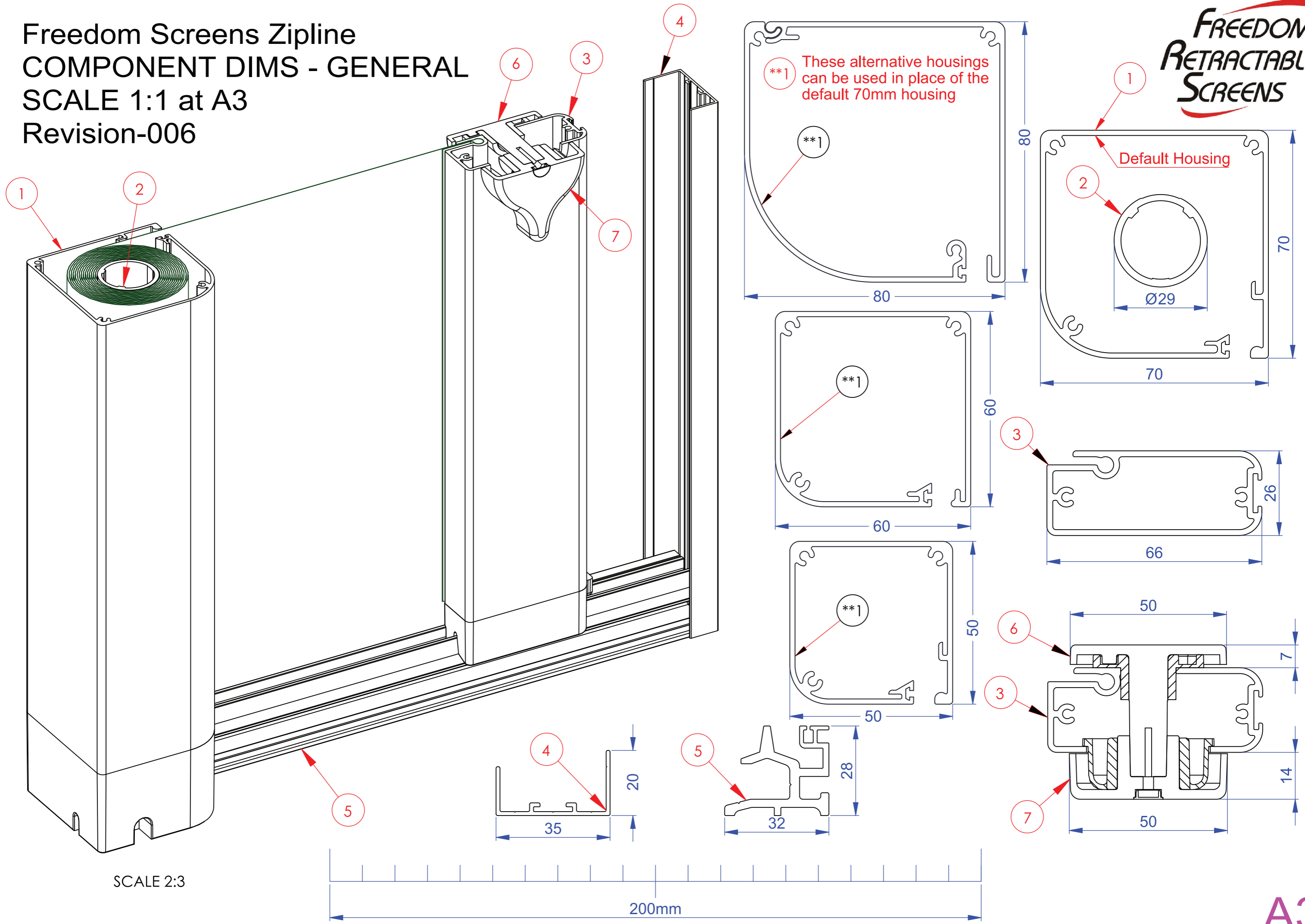


INFINITY ZIPLINE™ Technical Information

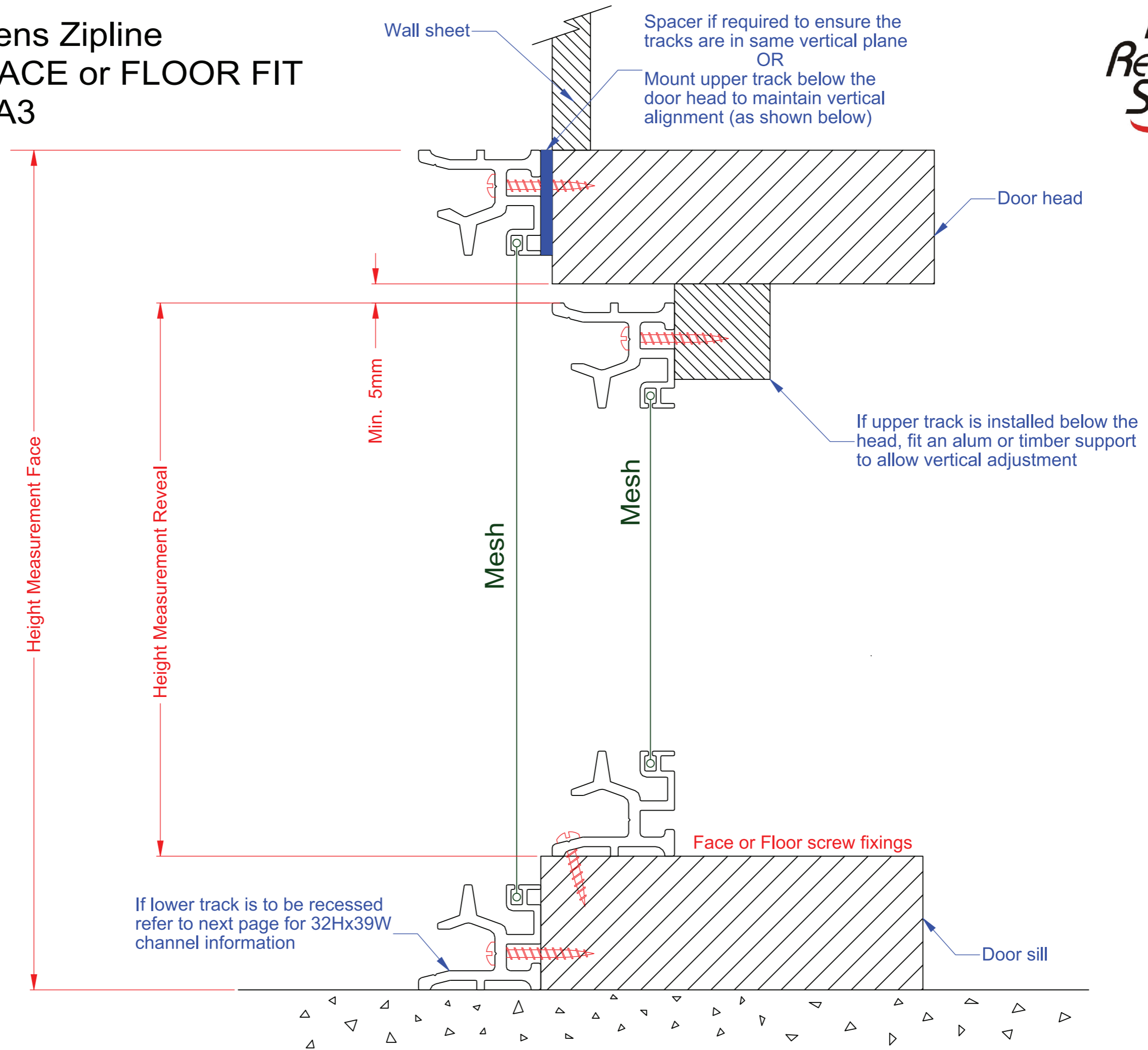
www.freedomscreens.com.au

FREEDOM RETRACTABLE SCREENS® INFINITY ZIPLINE™ SERIES

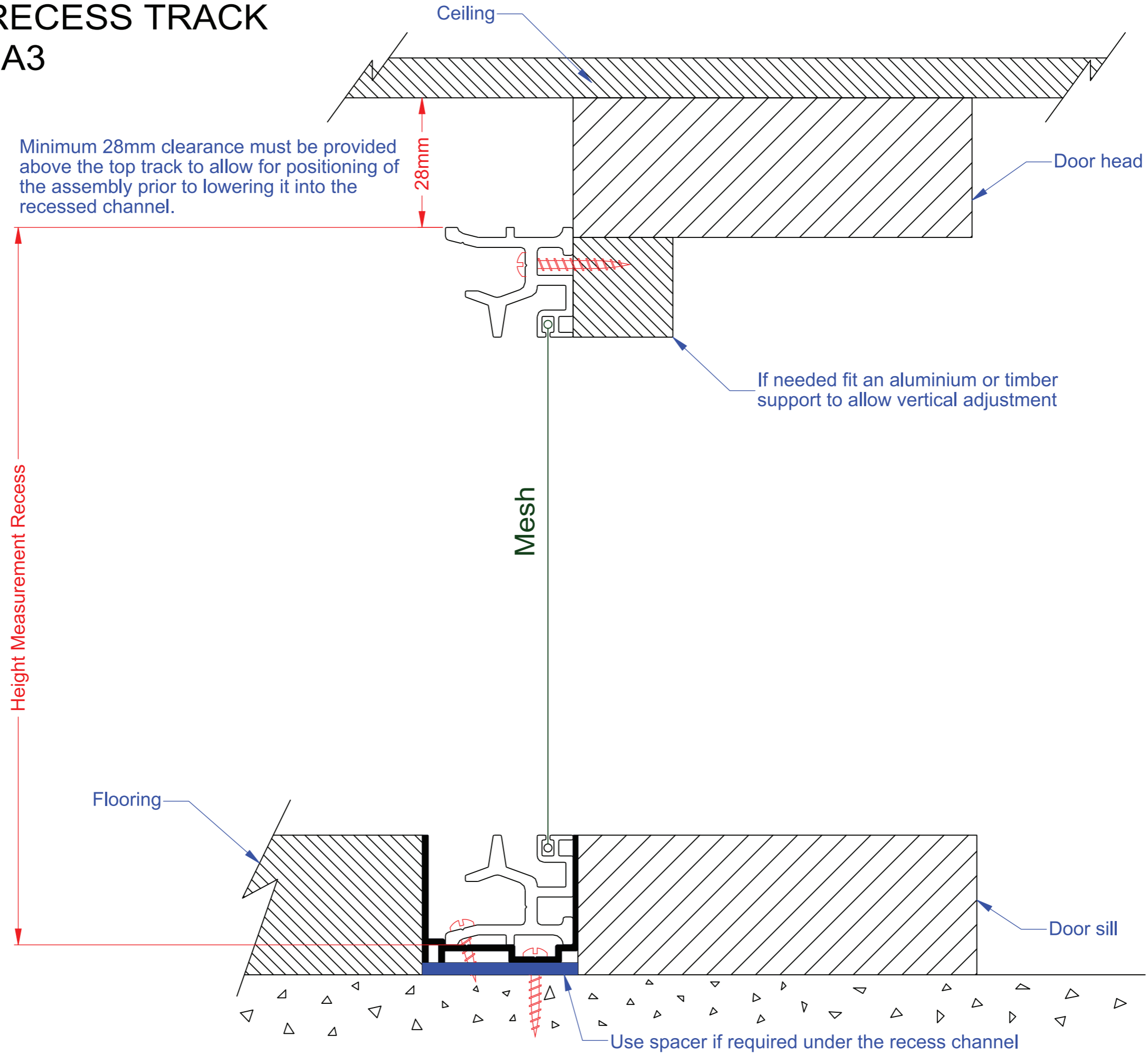
Freedom Screens Zipline
COMPONENT DIMS - GENERAL
SCALE 1:1 at A3
Revision-006



Freedom Screens Zipline
END VIEW - FACE or FLOOR FIT
SCALE 1:1 at A3
Revision-006



Freedom Screens Zipline
END VIEW - RECESS TRACK
SCALE 1:1 at A3
Revision-006



Minimum 28mm clearance must be provided above the top track to allow for positioning of the assembly prior to lowering it into the recessed channel.

Height Measurement Recess

Ceiling

Door head

If needed fit an aluminium or timber support to allow vertical adjustment

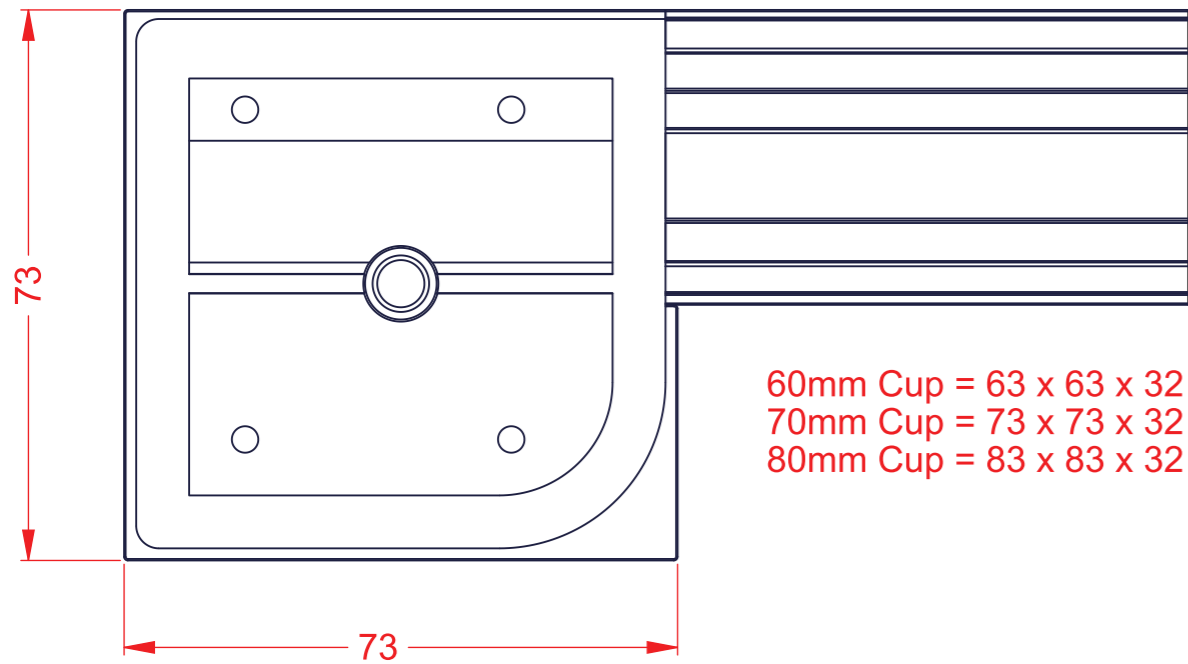
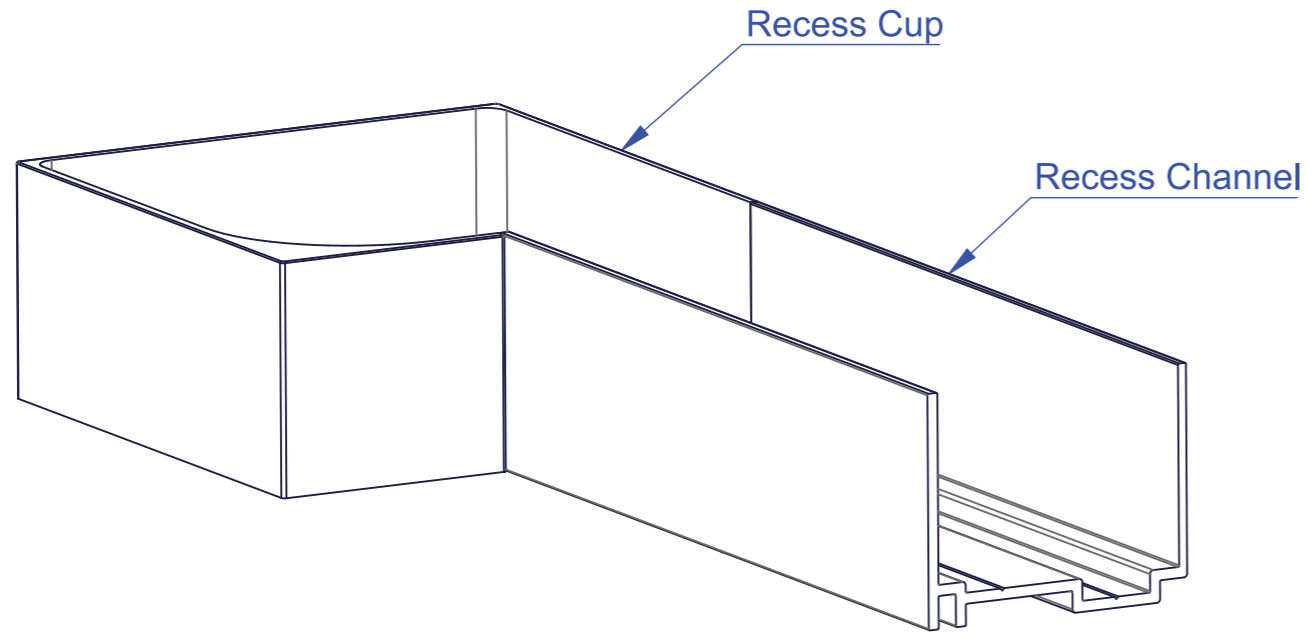
Mesh

Flooring

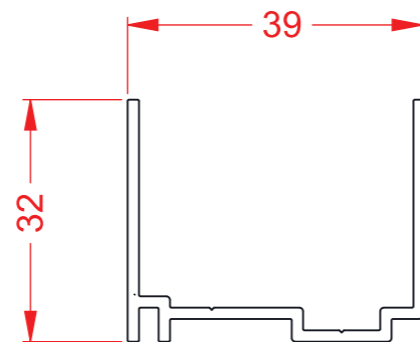
Door sill

Use spacer if required under the recess channel

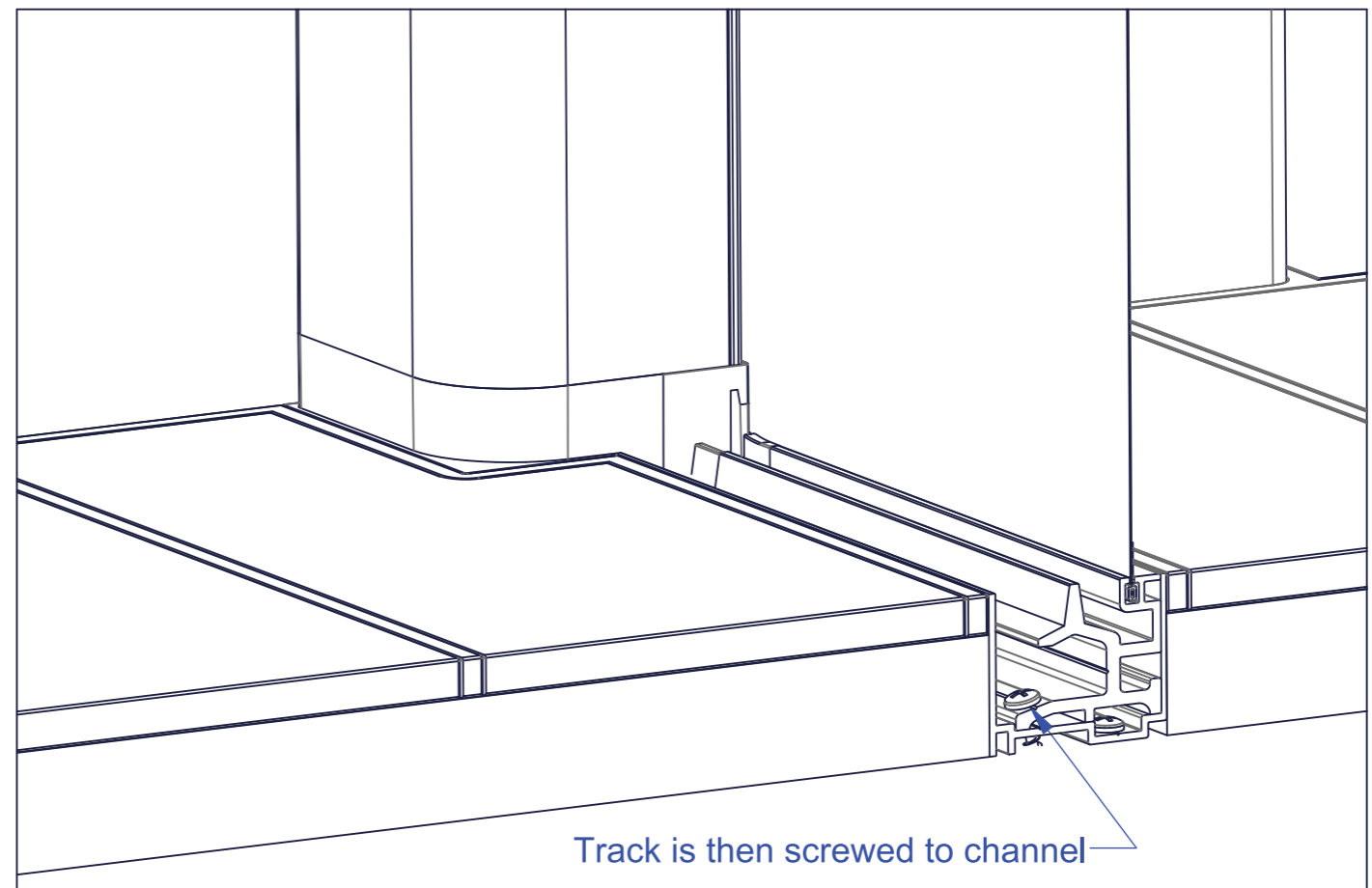
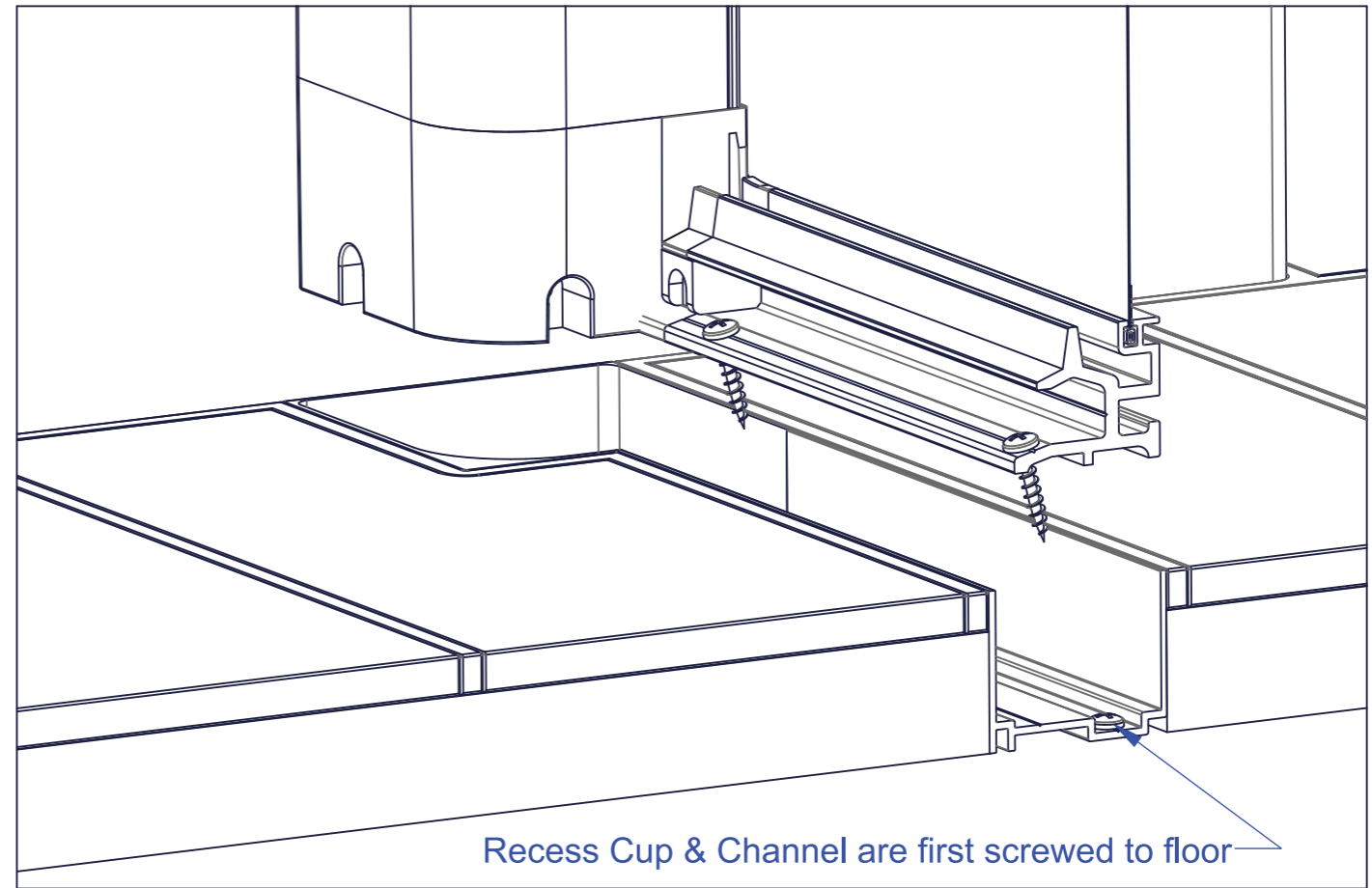
Freedom Screens Zipline
 DETAIL - RECESS TRACK
 SCALE 1:1 at A3
 Revision-006



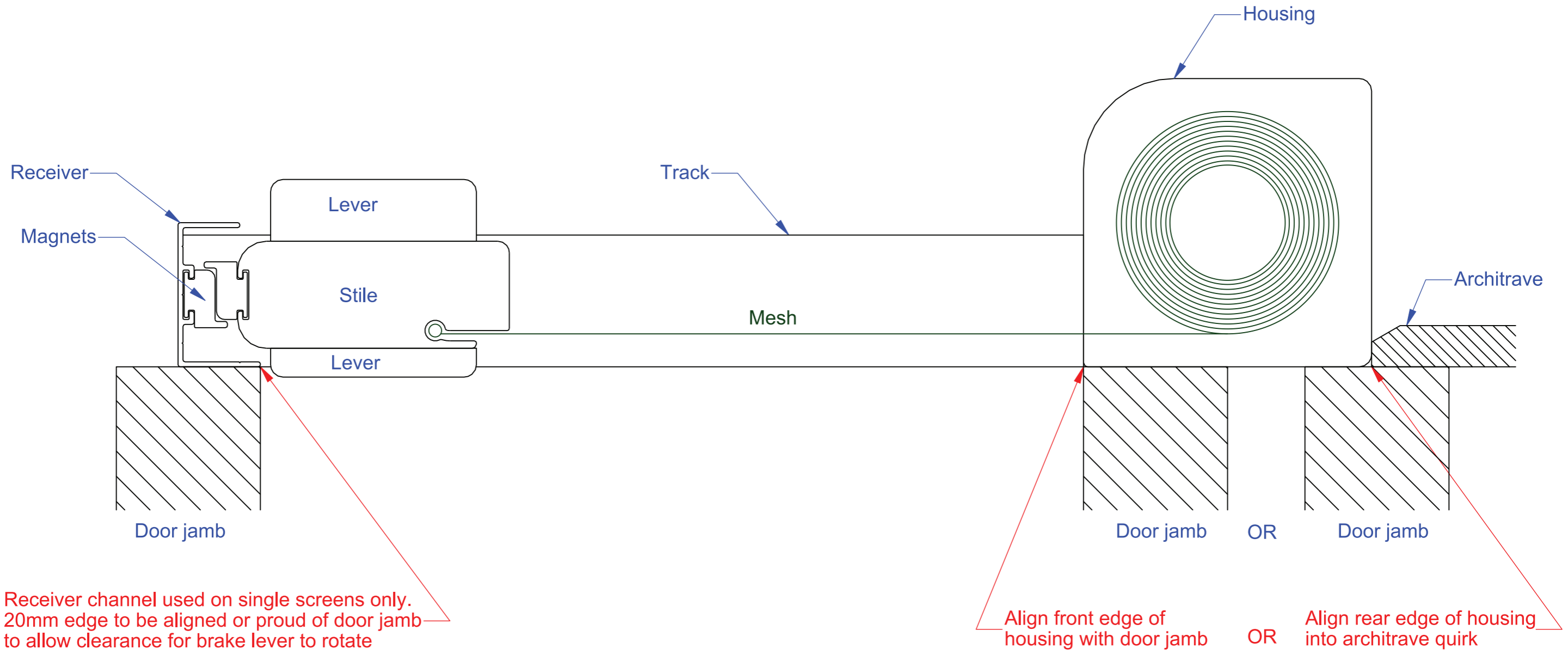
60mm Cup = 63 x 63 x 32
 70mm Cup = 73 x 73 x 32
 80mm Cup = 83 x 83 x 32



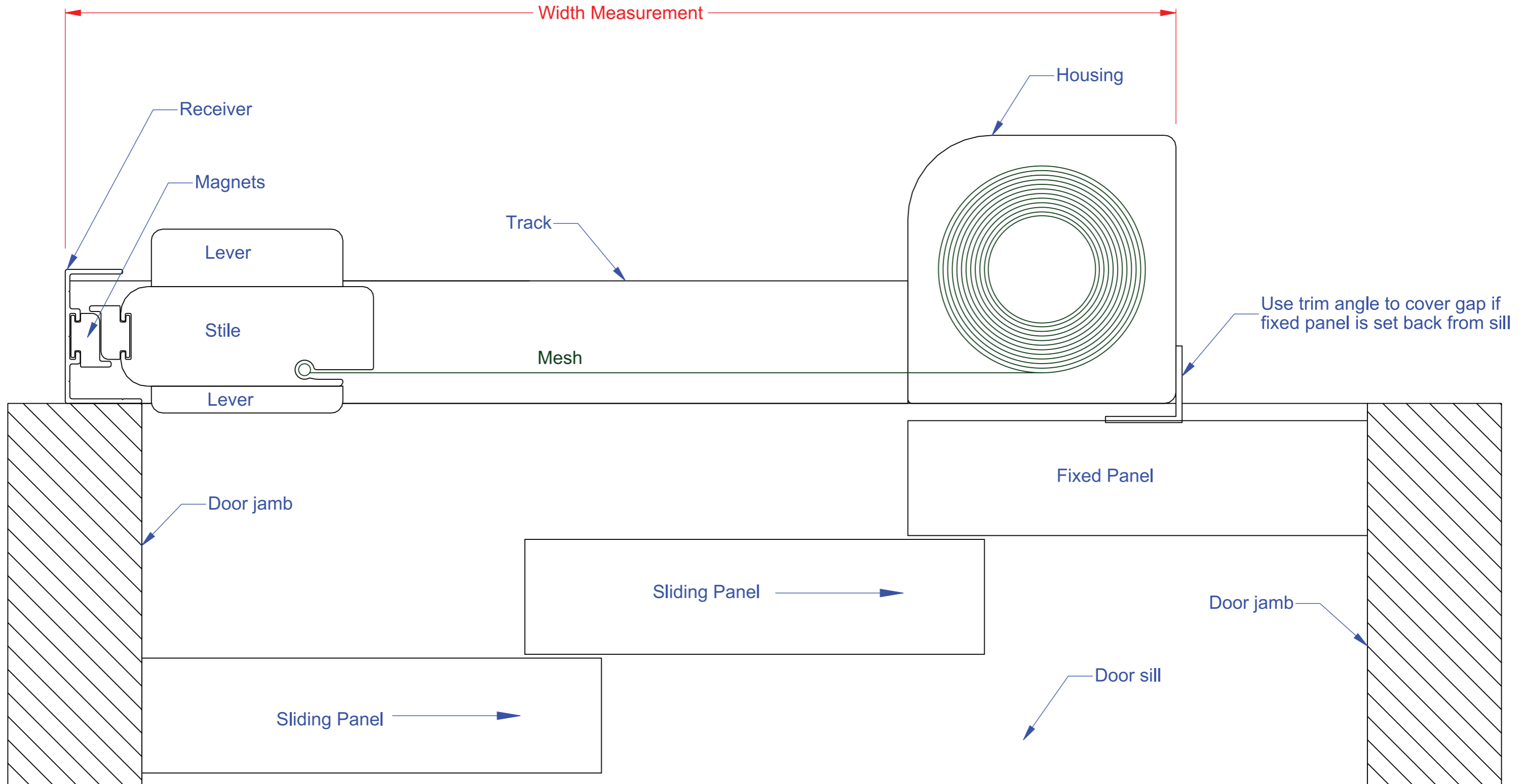
Recess channel & cup assembly may be fitted first to allow flooring to be completed. The screen unit may then be fitted at a later stage near project completion.



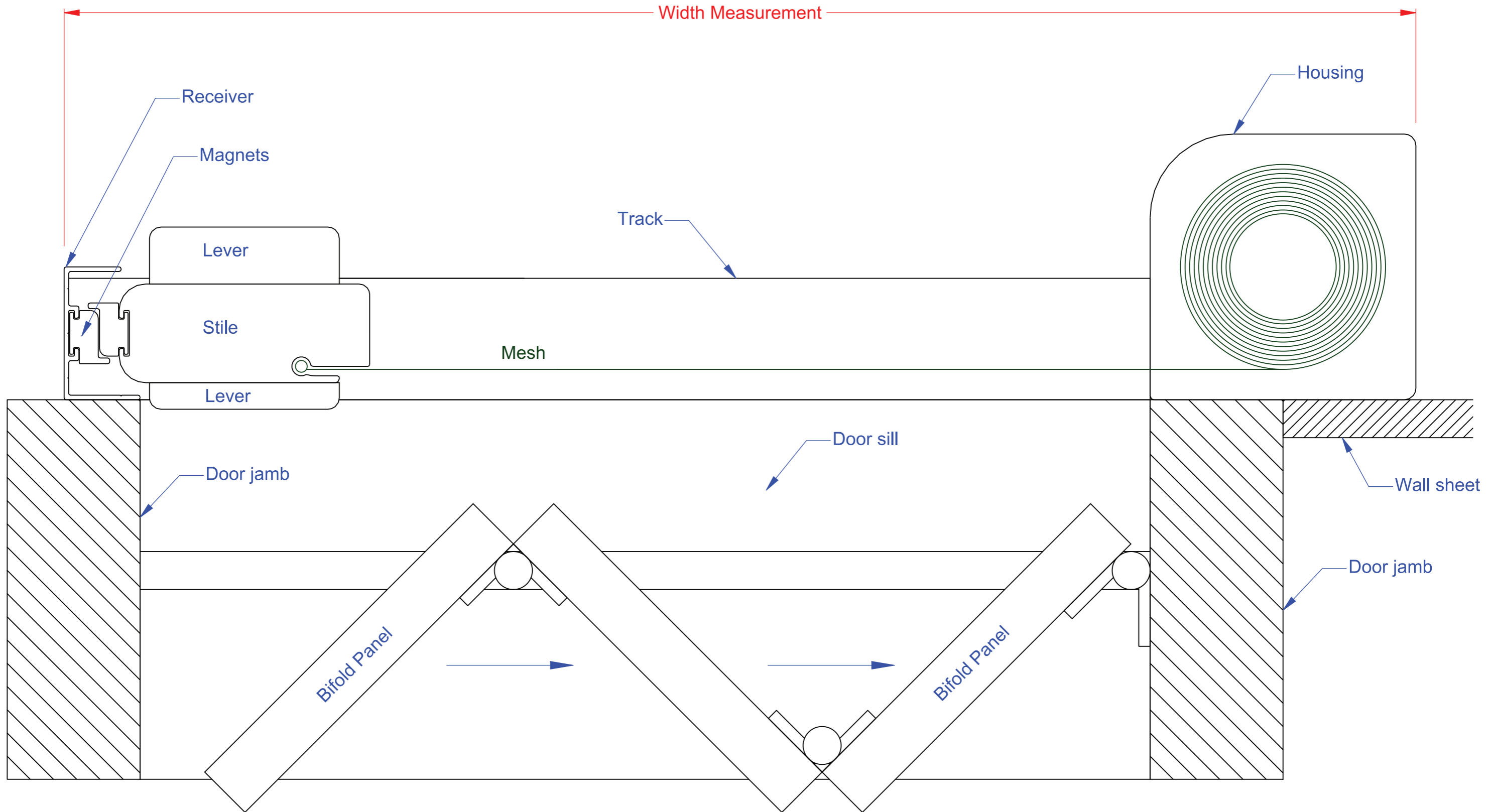
Freedom Screens Zipline
 PLAN VIEW - GENERAL
 SCALE 1:1 at A3
 Revision-006



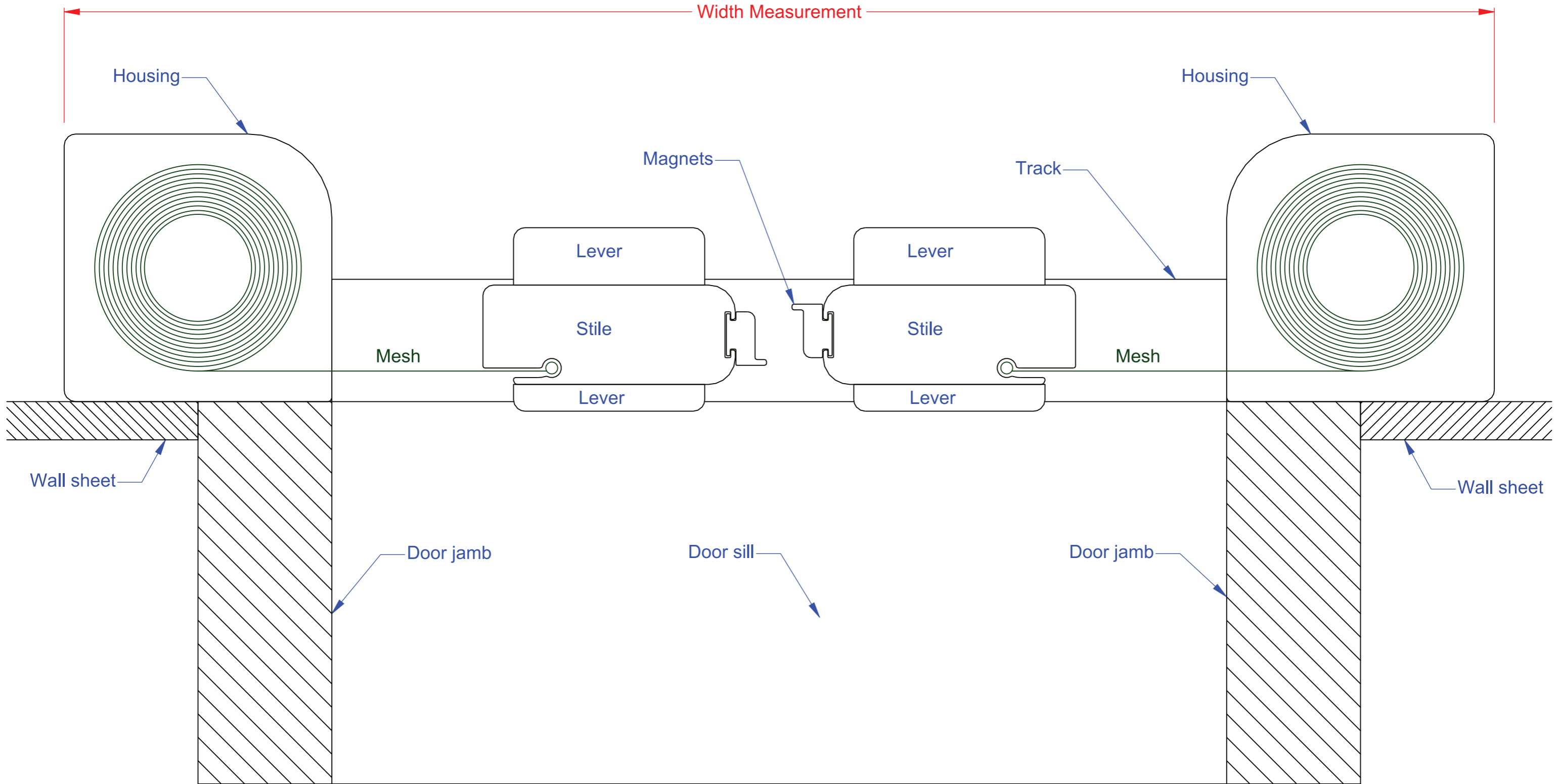
Freedom Screens Zipline
PLAN VIEW - STACKER DOORS
SCALE 1:1 at A3
Revision-006



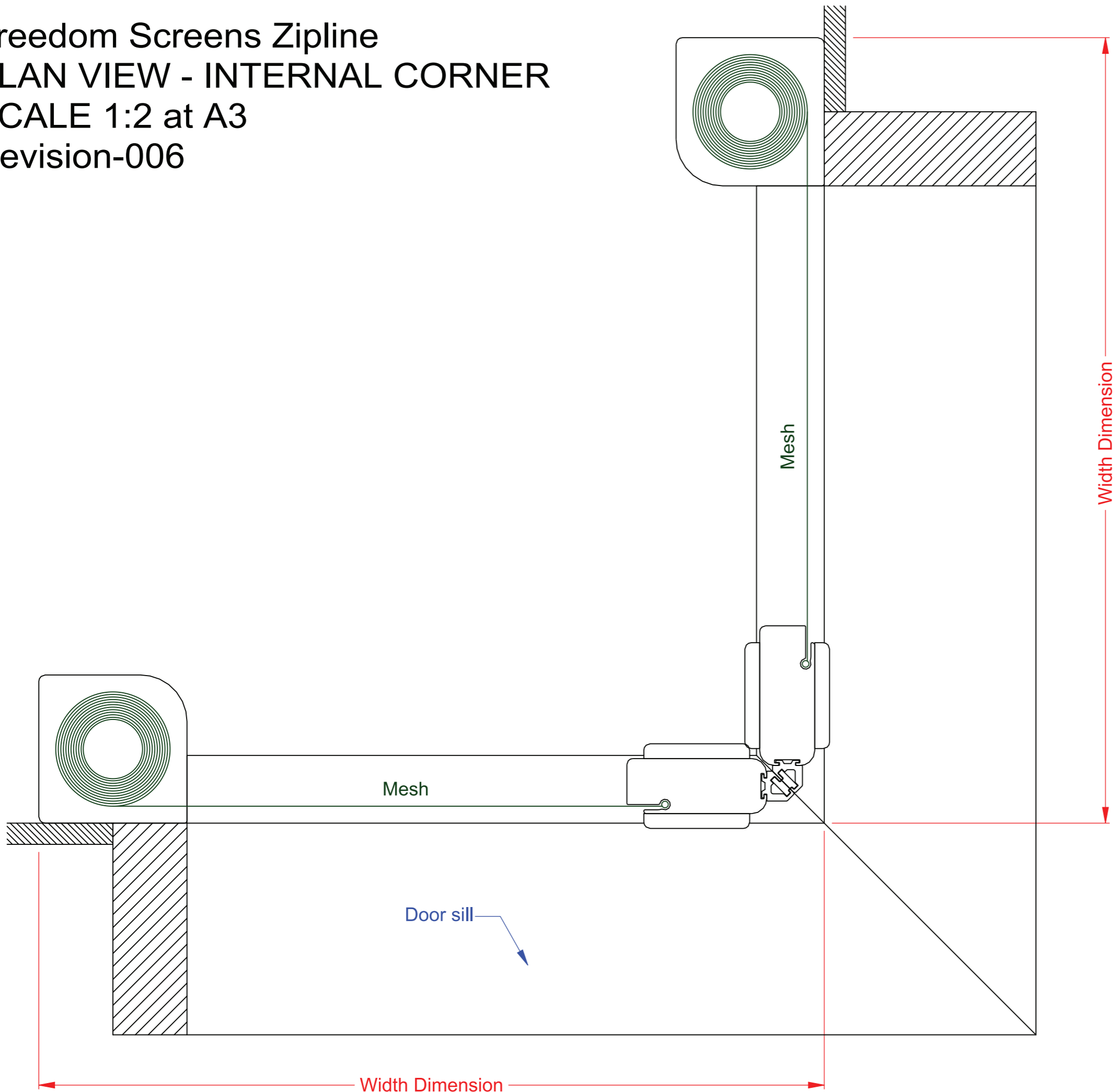
Freedom Screens Zipline
PLAN VIEW - BIFOLD DOORS
SCALE 1:1 at A3
Revision-006



Freedom Screens Zipline
PLAN VIEW - DOUBLE DOORS
SCALE 1:1 at A3
Revision-006



Freedom Screens Zipline
PLAN VIEW - INTERNAL CORNER
SCALE 1:2 at A3
Revision-006



Freedom Screens Zipline
PLAN VIEW - EXTERNAL CORNER
SCALE 1:2 at A3
Revision-006

