



origin

DOORS AND WINDOWS

Residential Door Specification File



Contents

Specification Overview	04
Security	08
Optional Extras	08
Panel Options	11
Residential Door Make-Up	14
Panel Make-Up	15
Performance and Limitations	16
Master Configurations	18
Technical Drawings	26
Handles	38
Gaskets	46
Installation Guide	48
Window-to-jamb Coupler Installation Guide	56
Window-to-track Coupler Installation Guide	66
Accreditations	72

Specification Overview

Thermally Broken Aluminium Residential Door

External view of the Origin Residential Door (open in)



Internal view of the Origin Residential Door (open in)



Profile Specification

Outer Frame Depth	75mm
Sash Depth	59mm
Threshold Height (not including rebate)	50mm
Mobility Threshold Height	20mm

Features

- ▶ Up to a 20-year guarantee*
- ▶ Chamfered bead design
- ▶ 3-Star Diamond Cylinder as standard
- ▶ Packaged in kit form for easy transportation and installation
- ▶ Secured by Design accredited
- ▶ 5 or 8-point locking system available
- ▶ Each door comes with four security hinges
- ▶ Available in 35 different styles

Options and extras

- ▶ Available in single and French door configurations
- ▶ Can be used as a front door, garage door or on a utility room/ side exit
- ▶ When being used as a garage door, it can be specified with no threshold
- ▶ Weathered (Class 8A), non-weathered and mobility (Class 4A) thresholds available
- ▶ Can be specified to open in or open out
- ▶ Cill options are: 95, 155, 180 and 225mm
- ▶ Available in over 150 different colours, with different colours able to be selected on the panel, sash and frame
- ▶ Hinge colours: black, white, stainless steel finish or colour coded
- ▶ Gaskets are available in 9 different colours: black, white, light grey, graphite grey, slate grey, anthracite grey, light oak, bronze or chestnut brown
- ▶ Door-to-window coupling
- ▶ Matching side panels or part panels are available**
- ▶ The 32mm panel is manufactured with aluminium inner and outer layers with a highly efficient Thermimax core

*Guarantee based on location of where the doors will be installed.
Full terms and conditions can be found on the Origin website - origin-global.com/terms-and-conditions.

**Size restrictions apply

Specification Overview



SE04

SE07

GE01

CO01

TR02

1-week lead time available on our popular panels and finishes



Dark Silver Metallic (9007M)



Black Grey (7021M)



Jet Black (9005M)



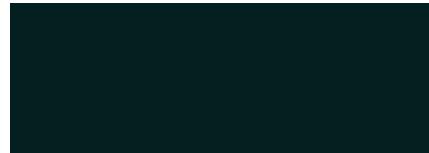
Slate Grey (7015M)



Light Silver Metallic (9006M)



Hipca White (9910G)



Anthracite Grey (7016M)



A dual colour option is available, with the further feature of being able to specify a different colour on the panel, sash and frame

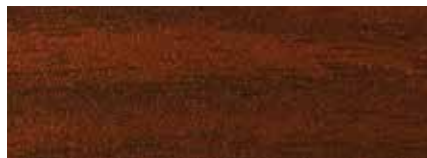
The Origin Residential Door can be specified in an authentic woodgrain finish



Natural Oak



Golden Oak



Mahogany



Walnut

Woodgrain colours have an 8-week lead time



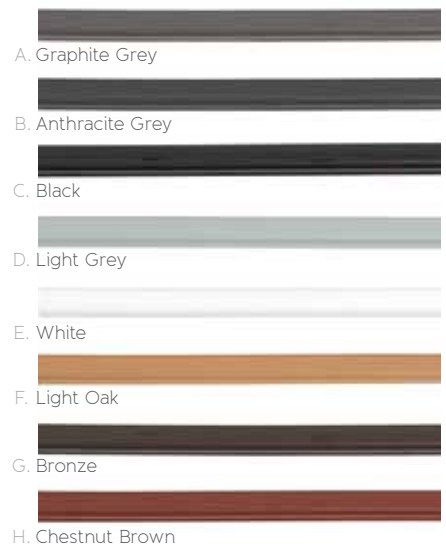
Alternatively, any RAL colour can be selected

For the full range, visit origin-global.com



Even the Q-Ion colour is your choice

Door Colour	Recommended Q-Ion Colour
A. 7015M and 9007M	Graphite Grey
B. 7016M	Anthracite Grey
C. 9005M and 7021M	Black
D. 9006M	Light Grey
E. 9910G	White
F. Natural Oak and Golden Oak	Light Oak
G. Walnut	Bronze
H. Mahogany	Chestnut Brown



Security

Multi-point Locking Systems

The Origin Residential Door can be specified with the same high security 8-point locking system as used in the Origin Bi-fold Door.

The multi-point lock was developed in-house by Origin and offers 8-points of locking, conforms to all of the latest security standards and is fully Document Q compliant

As an alternative to the 8-point locking system with a lever to lever handle, a 5-point automatic locking system is also available. This allows the user to simply shut the door and turn the key without the need to lift the handle first

Barrels

As standard, our Residential Doors come with a 3-Star Diamond British Kite Mark TS007:2014 barrel.

3-Star
Diamond
Barrel



Optional Extras

Security Restrictor

The Origin Residential Door offers the option of coming with a restrictor.

It's designed to limit the door opening prior to visitors entering, and is easy to apply and release (when the door is open).

Available in gold and chrome.



Handles

There are three main handle options available - a bar handle range, a finger pull escutcheon and a Yale lever handle. Also available are our premium stainless steel handles.

- ▶ The bar handles are available in three styles - straight, offset and bow. The straight and offset handles come in 3 sizes: 500mm, 1200mm and 1800mm. The bow bar handle comes in two sizes: 550mm and 720mm, and come in a brushed stainless steel finish
- ▶ The pull handles are available with automatic locking only
- ▶ The Yale handle is available in black, white, chrome or gold
- ▶ Hafi handles are available in 5 different styles

Premium stainless steel range



Yale lever handle range



Bar handle range



Letterboxes

Letterboxes are available as an optional add-on for a number of the panels available in the Origin Residential Door range. The positioning of the letterbox will be predetermined by the panel size, type and style.



The letterbox takes full A4 size mail and is available in 5 colours - white, black, gold, chrome and satin stainless steel.

- ▶ External flap opens to 180°
- ▶ Fully sprung loaded with finger slot for easy opening
- ▶ Contains external weather seal and internal draught seal
- ▶ Internal nylon brush seal to reduce air filtration

Door Knockers with Spyholes

There are two door knocker styles available for the Origin Residential Door - the Affinity vertical slim line knocker and the Affinity urn knocker. Both knocker styles include a fitted spyhole for added security, and are fitted with an integral escutcheon plate

Slimline door knocker - available in white, black, gold, chrome satin and stainless steel

Affinity urn knocker - available in chrome and gold

Spyholes available separately in chrome and gold

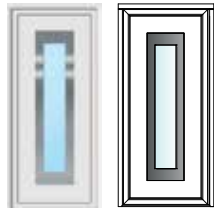


Panel Options

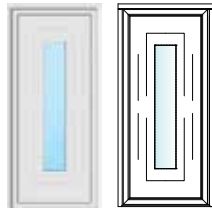
Contemporary – Sleek designs with a contemporary twist



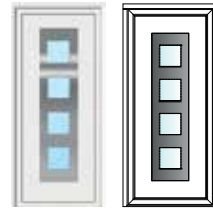
CO 01



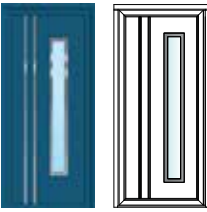
CO 02



CO 03



CO 04



CO 05



CO 06



CO 07



Traditional – A modern take on traditional style



TR 01



TR 02*



TR 03



TR 04*



TR 05



TR 06

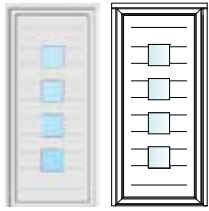


TR 07

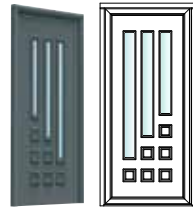


Panel Options

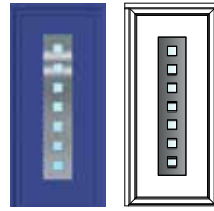
Geometric – Striking designs with geometric patterns



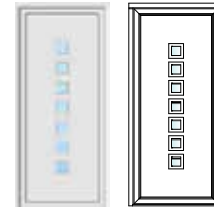
GE 01



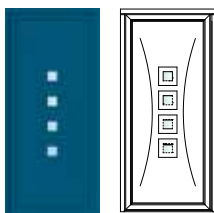
GE 02



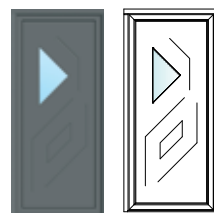
GE 03



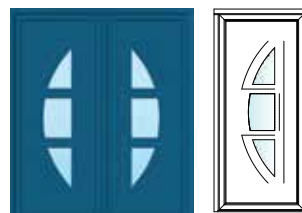
GE 04



GE 05

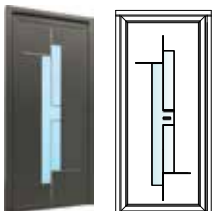


GE 06



GE 07

Statement – Bold panels for statement exteriors



ST 01



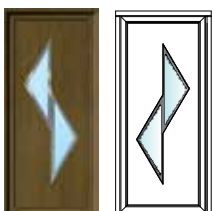
ST 02



ST 03



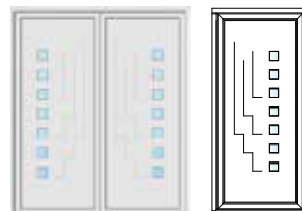
ST 04



ST 05



ST 06



ST 07

Seamless – Simplicity and style seamlessly combined



SE 01



SE 02



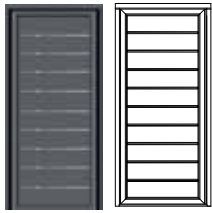
SE 03



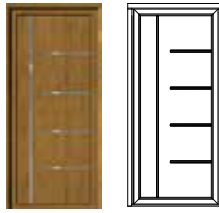
SE 04**



SE 05



SE 06



SE 07**



Key

 Letterbox available

 Knocker available

 Available with or without glazing

*Studs (as shown on TR02 and 04) are an optional extra

**Available on a 2-week lead time in 7016M/ 9005M with maximum single aperture size 1137mm x 2299mm (single door)

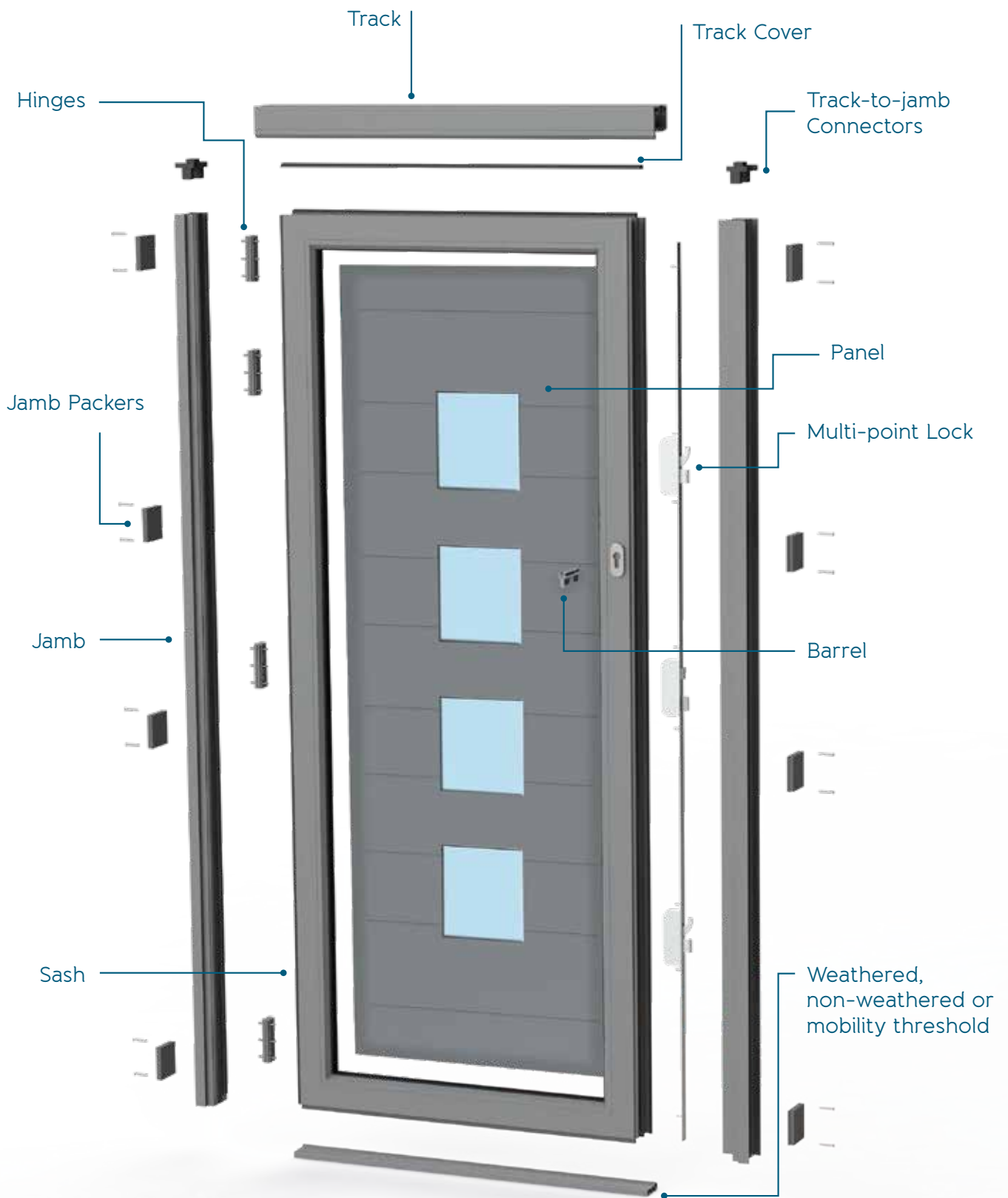
Mid-rail option

Helping further broaden your design possibilities, Origin offer the option of having a mid-rail pre-installed. Elegantly executed, the mid-rail is fixed horizontally, and is available in two options – one being a 60:40 split, and the other a 50:50 split.

Perfect for porches, they can either accommodate glass on the top and bottom, or a panel can be installed in the bottom section for additional privacy.

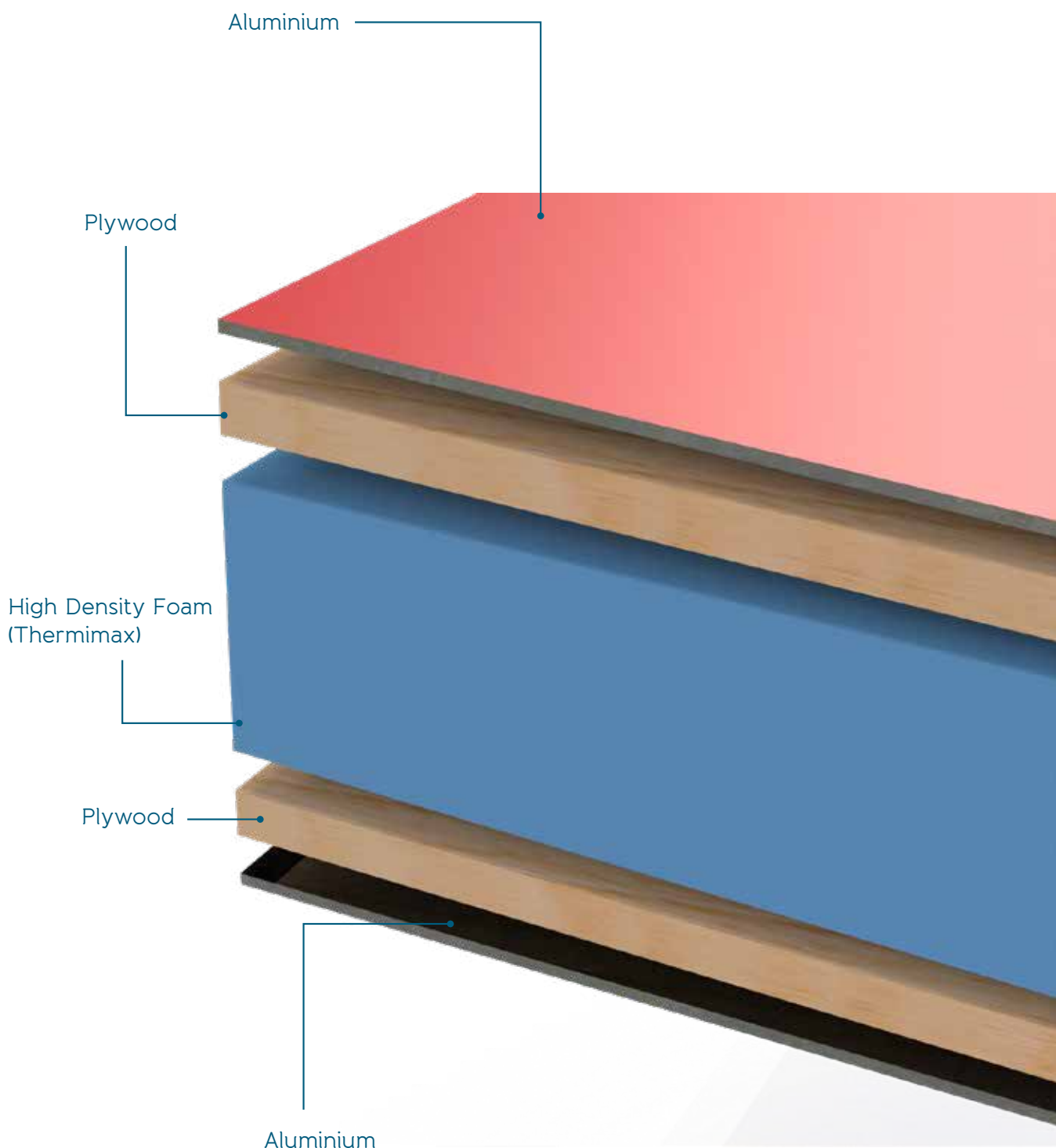


Residential Door Make-Up



Panel shown is GE 02

Panel Make-Up



Performance and Limitations

Thermal Ratings

Origin Residential Door Double Glazed	1.6 W/ (m2K)
Origin Residential Door Triple Glazed (with krypton)	1.3 W/ (m2K)
Origin Residential Door Triple Glazed (with argon)	1.5 W/ (m2K)
Origin Residential Door with Panel	1.7 W/ (m2K)

Weather Rating (weathered threshold)

Air Permeability	Class 4
Water Tightness	Class 8A
Resistance to Wind Load	Class A5
Exposure Category	2000

Performance Testing

PAS 24 Certified (Document Q Compliant)

BS6375 Parts 1, 2 and 3 Certified

Accreditation

ISO 9001

Building Regulation Requirements

New Build and Extensions 2.0 W/ (m2K)

Replacements 1.8 W/ (m2K)

Energy Rating E or better

All doors must conform to these requirements

Size Limitations

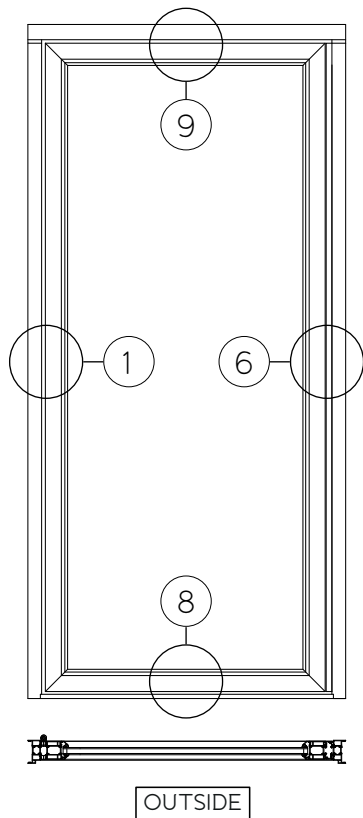
	Width	Height
Minimum and Maximum Dimensions:		
Single door:	Min: 400mm Max: 1130mm	Max: 2700mm
Minimum and Maximum Dimensions:		
French door:	Min: 800mm Max: 2500mm	Max: 2650mm
Minimum and Maximum Dimensions:		
Garage door:	Min: 800mm Max: 2500mm	Max: 2650mm

Please note that the minimum and maximum sizes vary depending on the panel chosen.

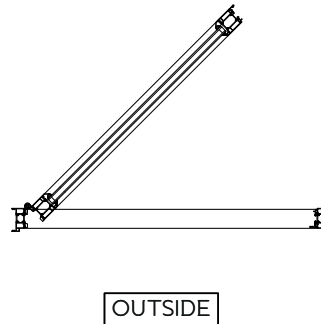


Master Configurations

Master Configuration: Single Door



See Configuration Key for section detail ▶

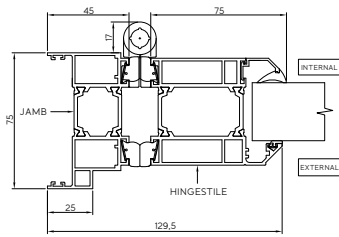


Key features

- ▶ Multi-point locking system
- ▶ 4 security hinges for optimum security
- ▶ Can be specified to open in or out
- ▶ 35 panel styles

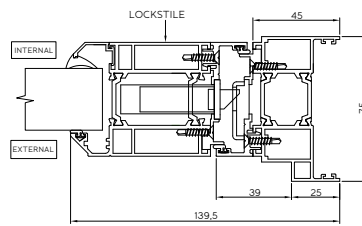
Configuration Key

1 - Hinge jamb detail



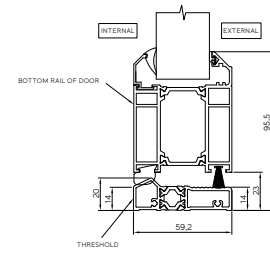
See page 26

6 - Locking jamb detail



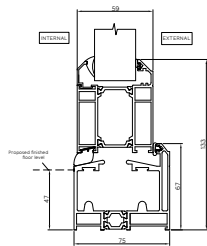
See page 31

8 - Mobility threshold detail



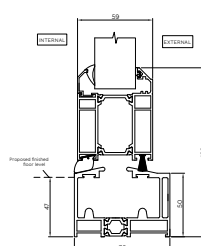
See page 33

8a - Weathered threshold detail



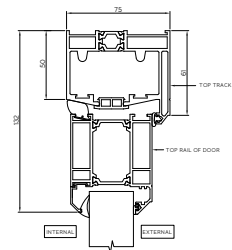
See page 34

8b - Non-weathered threshold detail



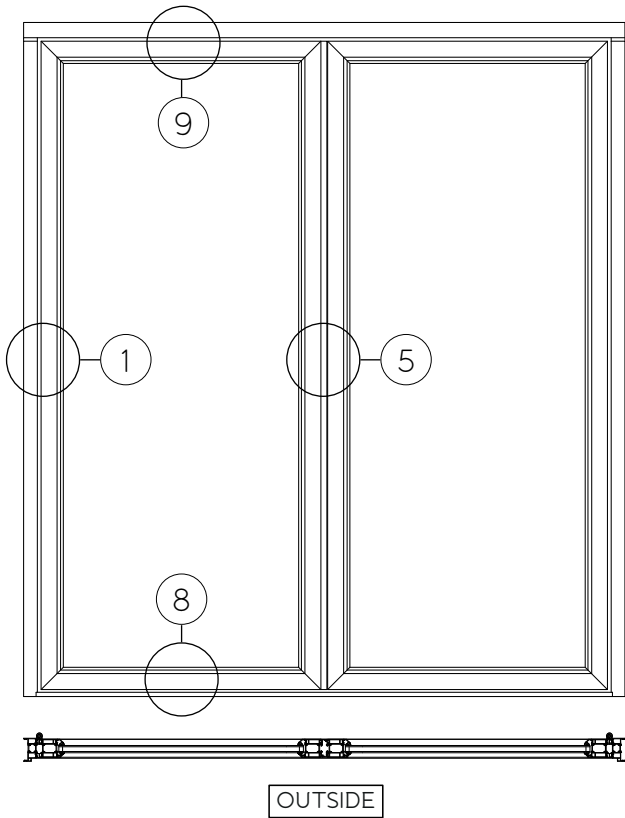
See page 35

9 - Top track detail

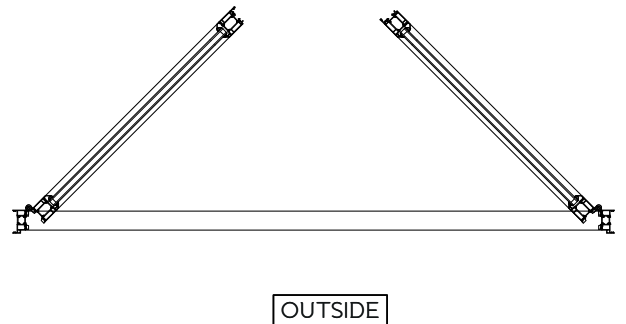


See page 37

Master Configuration: French Door



See Configuration Key for section detail ▶

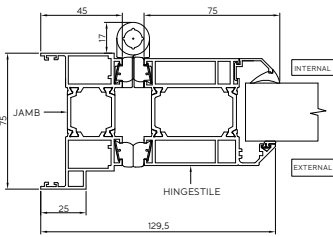


Key features

- ▶ Multi-point locking system
- ▶ Works as a French or garage door
- ▶ Can be specified to open in or out
- ▶ When being used as a garage door, it can be specified to have no threshold

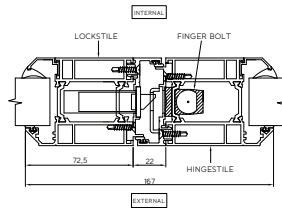
Configuration Key

1 - Hinge jamb detail



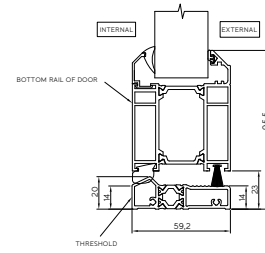
See page 26

5 - Locking slave detail



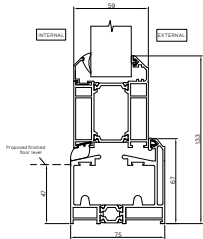
See page 30

8 - Mobility threshold detail



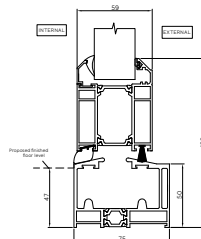
See page 33

8a - Weathered threshold detail



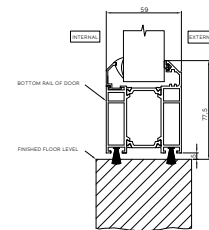
See page 34

8b - Non-weathered threshold detail



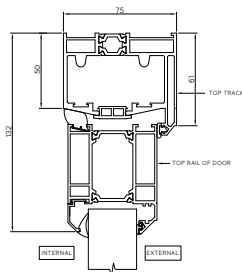
See page 35

8c - No threshold detail (garage doors only)



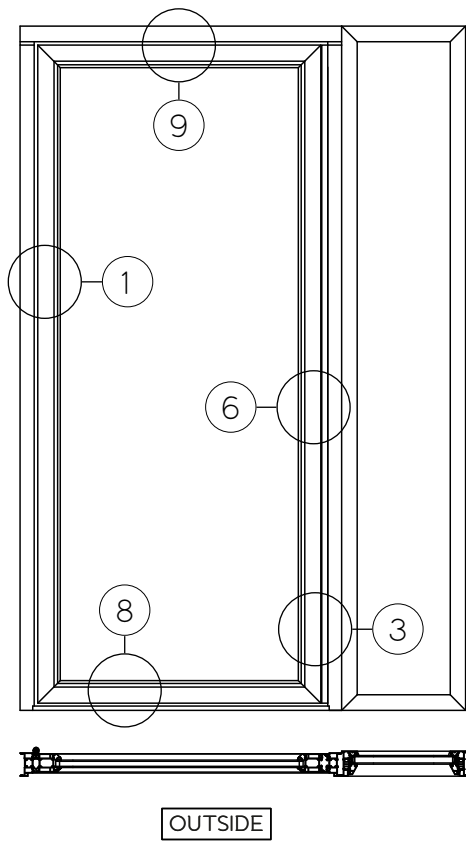
See page 36

9 - Top track detail

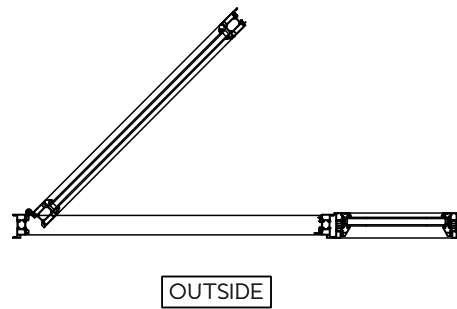


See page 37

Master Configuration: Door-to-sidelight



See Configuration Key for section detail ▶

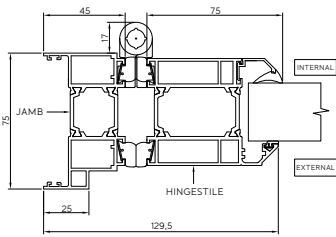


Key features

- ▶ Multi-point locking system
- ▶ Door-to-window coupling
- ▶ Windows can be glazed with 28mm and 44mm glass units
- ▶ Matching decorative side panels available

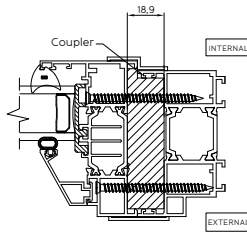
Configuration Key

1 - Hinge jamb detail



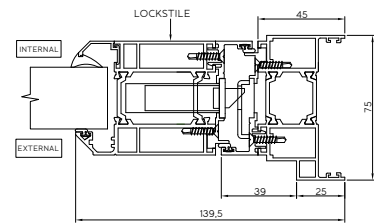
See page 26

3 - Window-to-door Jamb Coupler detail



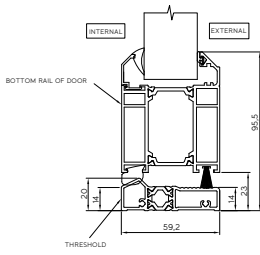
See page 28

6 - Locking jamb detail



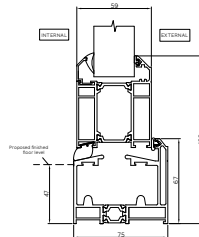
See page 31

8 - Mobility threshold detail



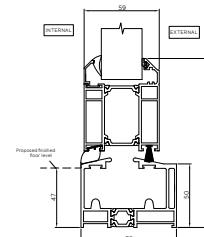
See page 33

8a - Weathered threshold detail



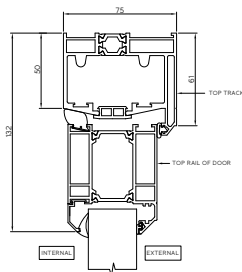
See page 34

8b - Non-weathered threshold detail



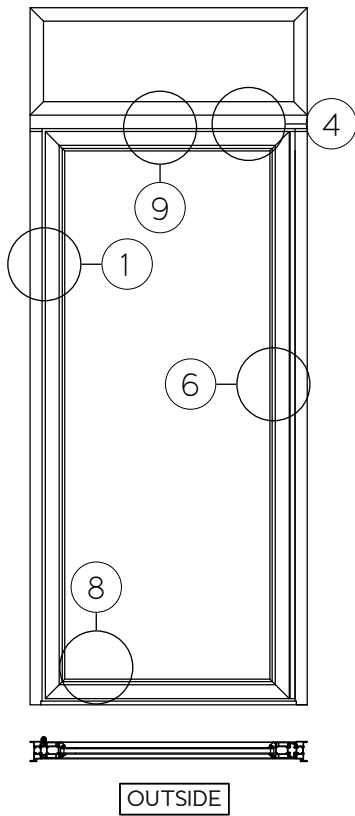
See page 35

9 - Top track detail

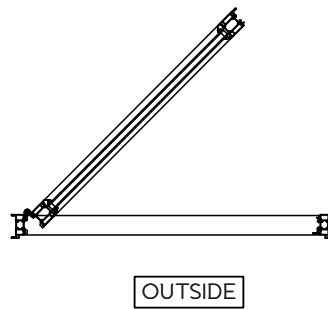


See page 37

Master Configuration: Door-to-transom



See Configuration Key for section detail ▶

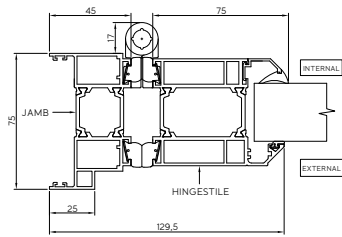


Key features

- ▶ Multi-point locking system
- ▶ Door-to-window coupling
- ▶ Windows can be glazed with 28 and 44mm glass units
- ▶ Matching decorative side panels available

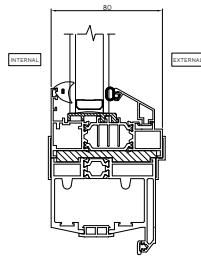
Configuration Key

1 - Hinge jamb detail



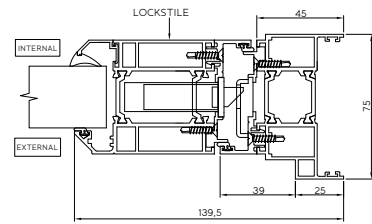
See page 26

4 - Window-to-track Coupler detail



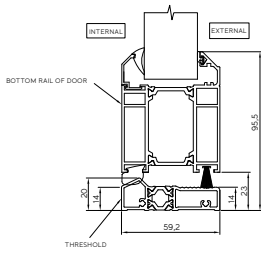
See page 29

6 - Locking jamb detail



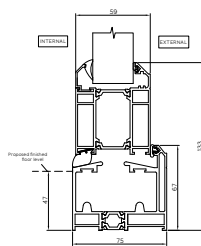
See page 31

8 - Mobility threshold detail



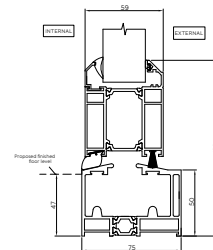
See page 33

8a - Weathered Threshold Detail



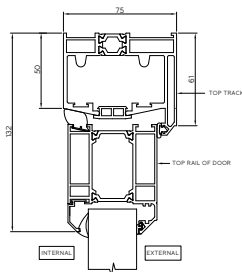
See page 34

8b - Non-weathered Threshold Detail



See page 35

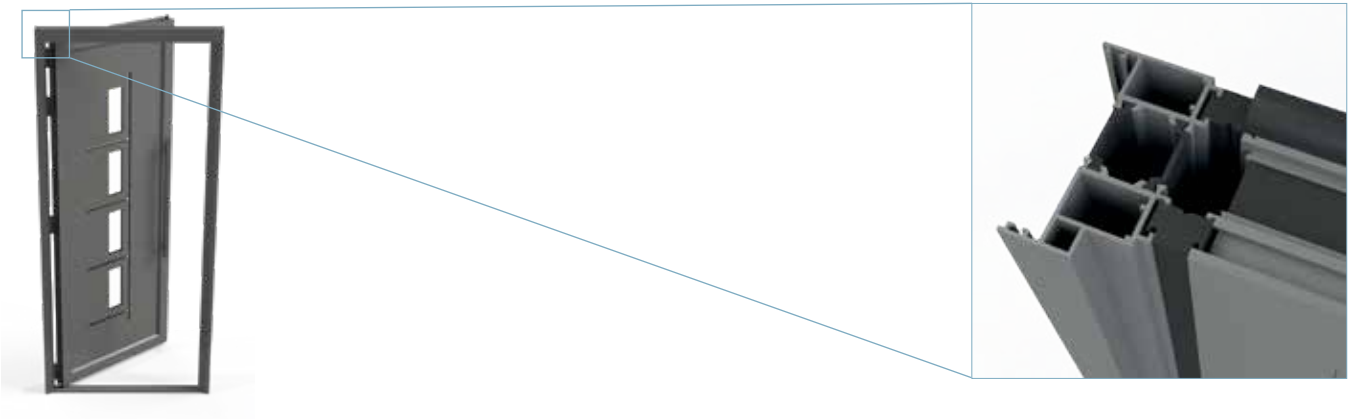
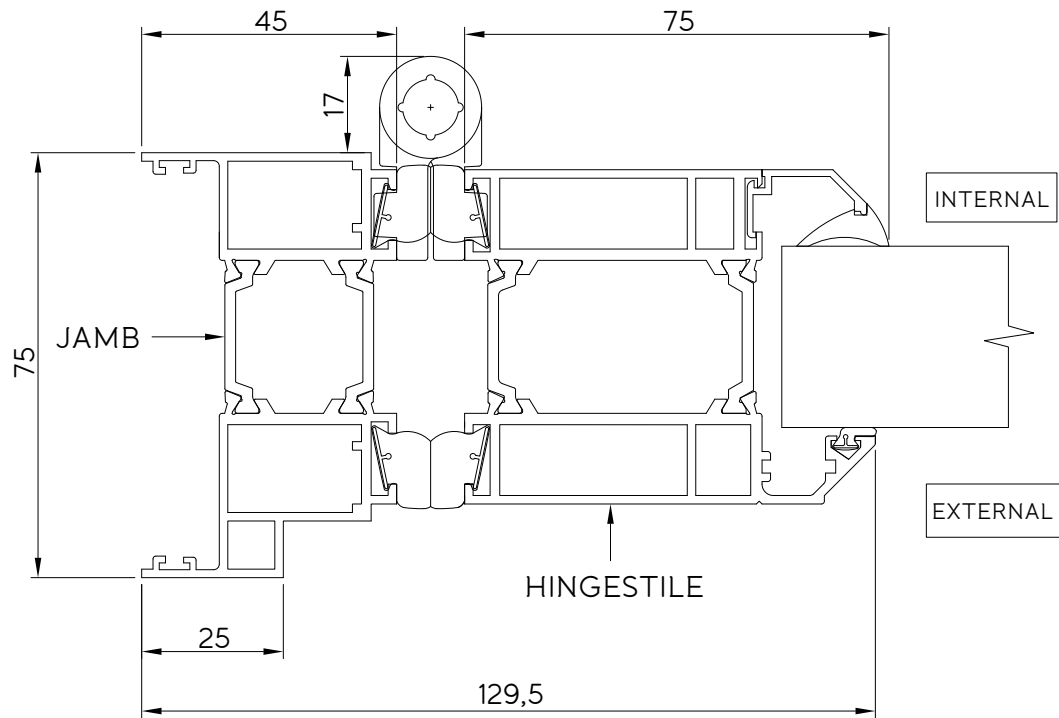
9 - Top track detail



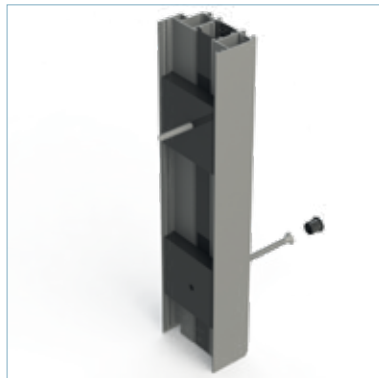
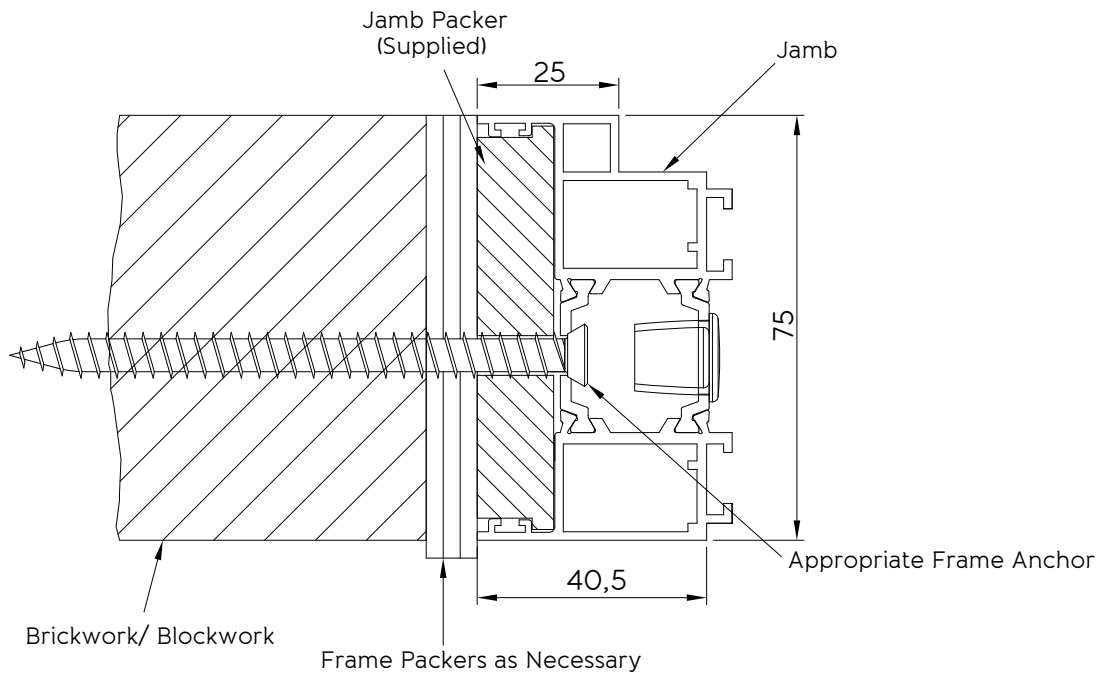
See page 37

Technical Drawings

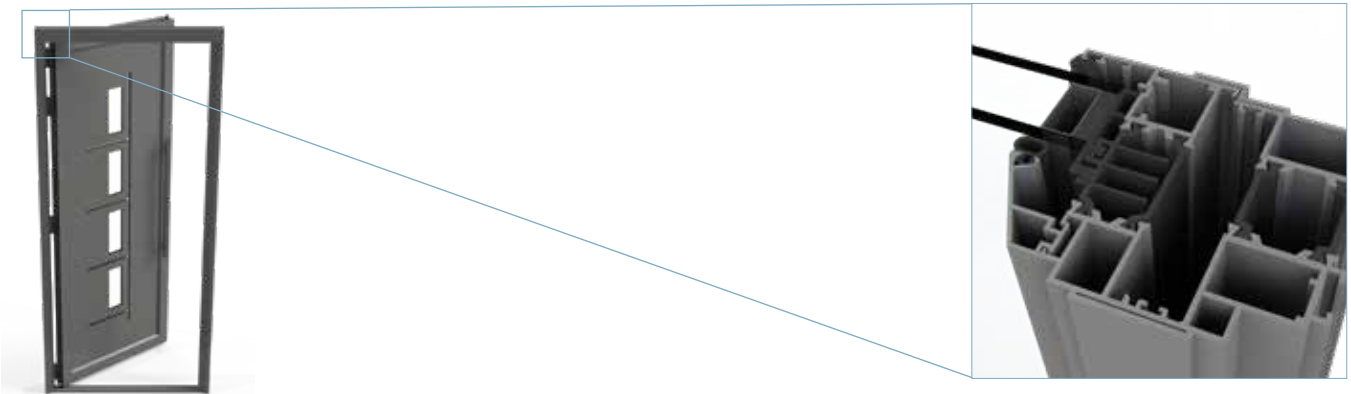
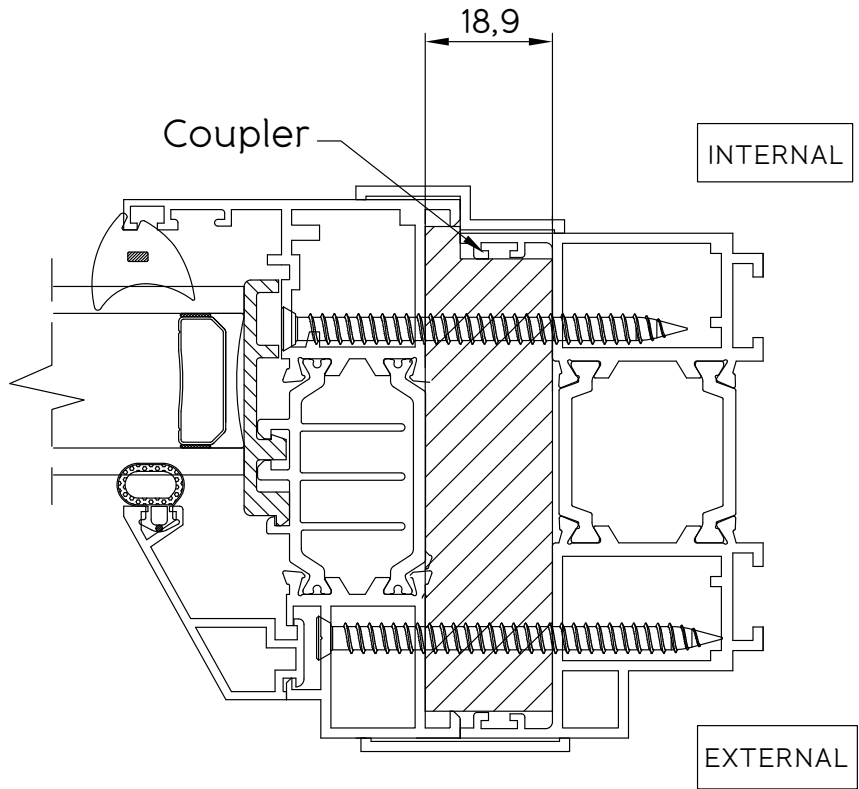
1 Hinge jamb detail



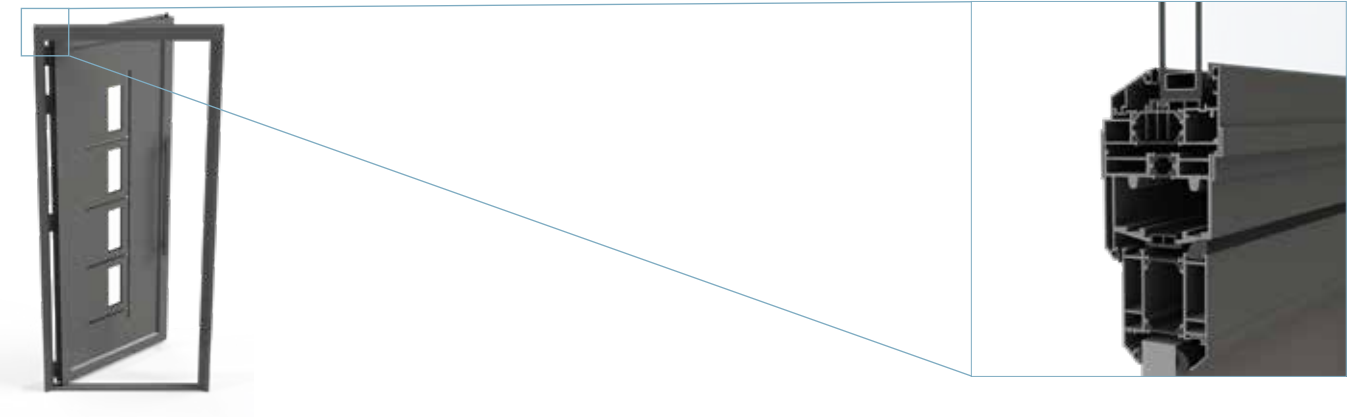
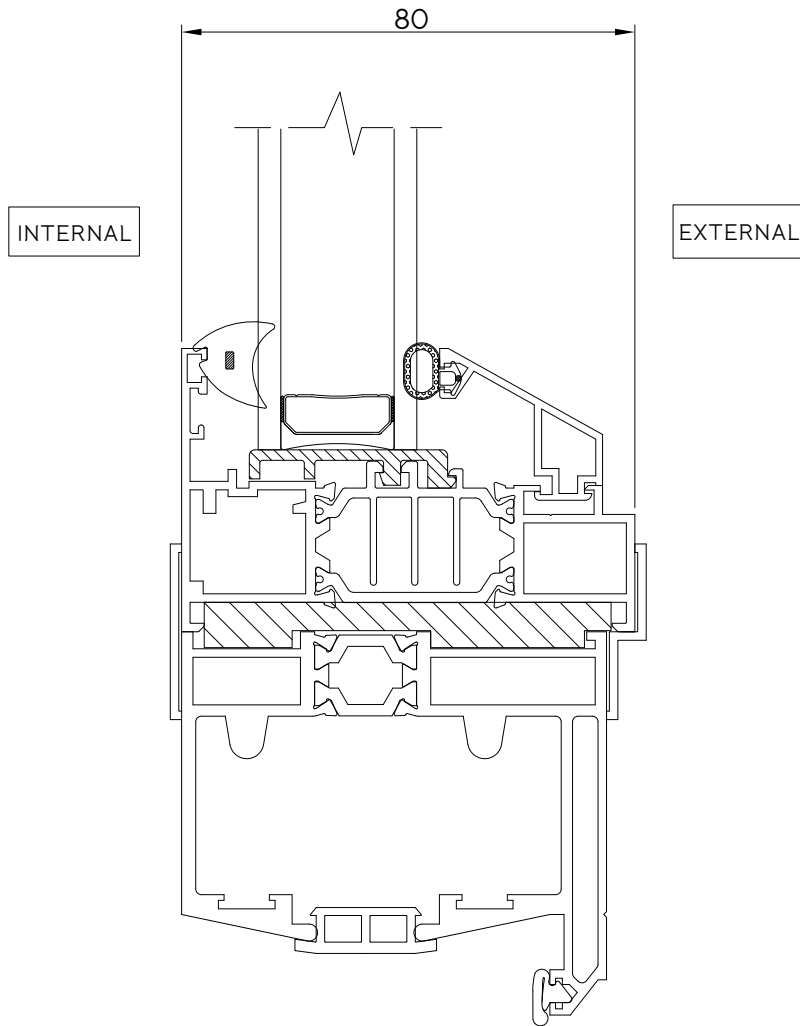
2 Jamb fixing detail



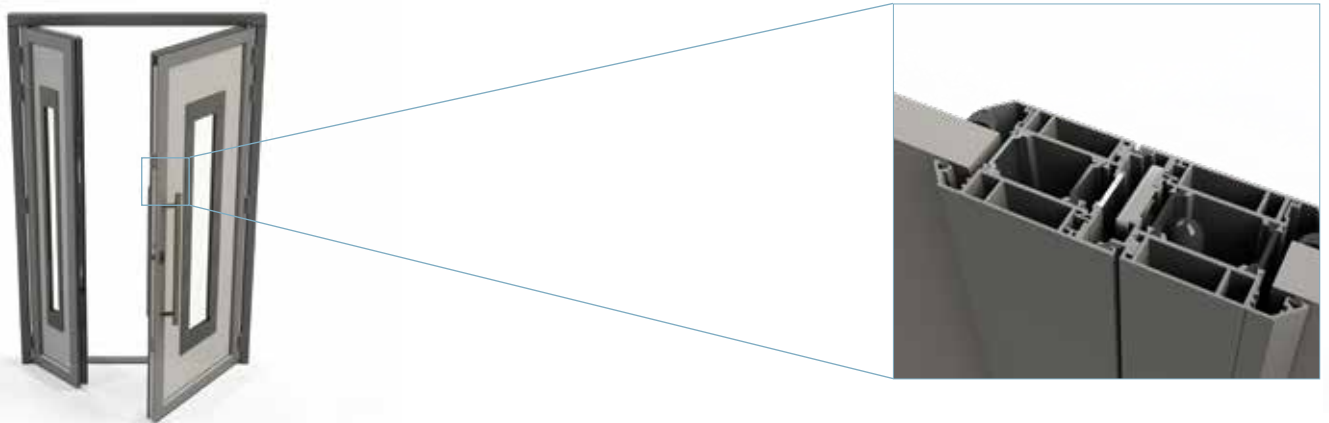
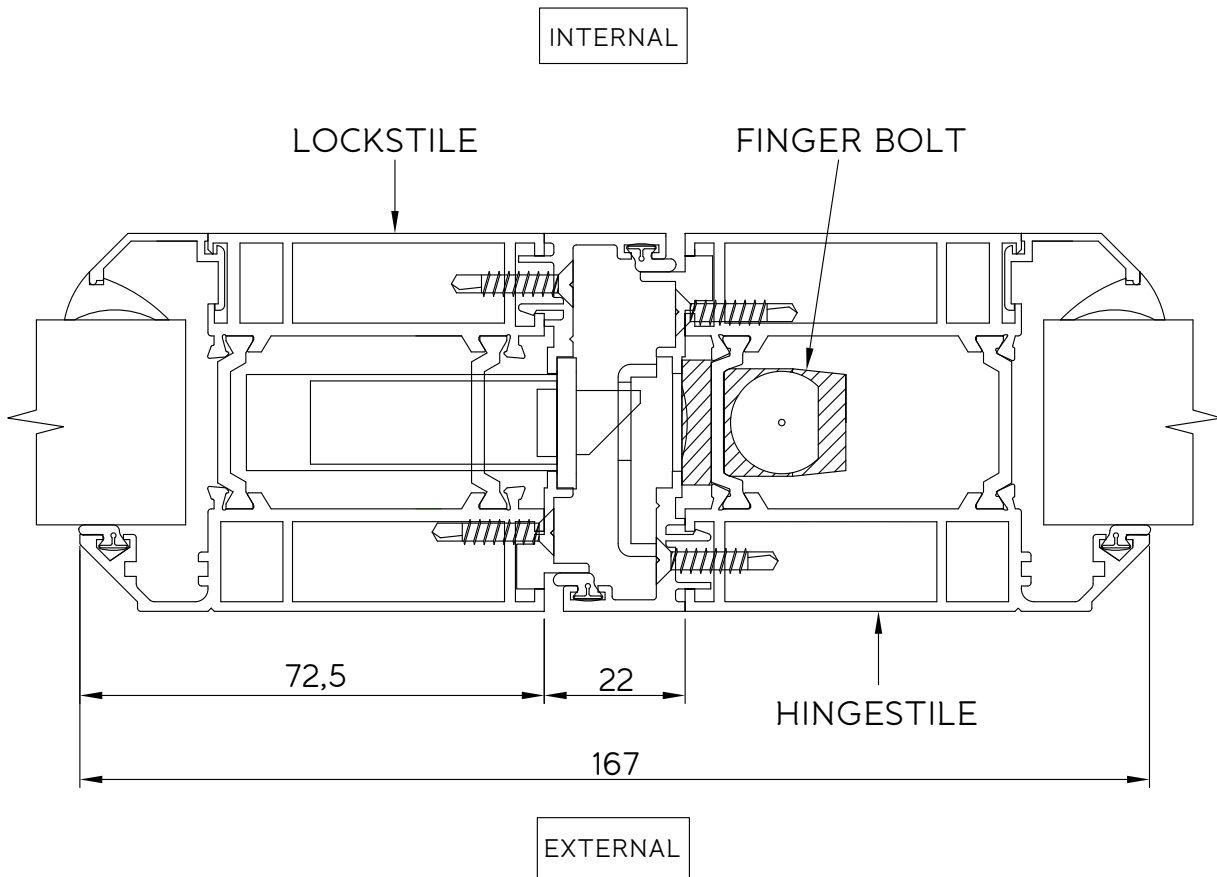
3 Window-to-door jamb coupler detail



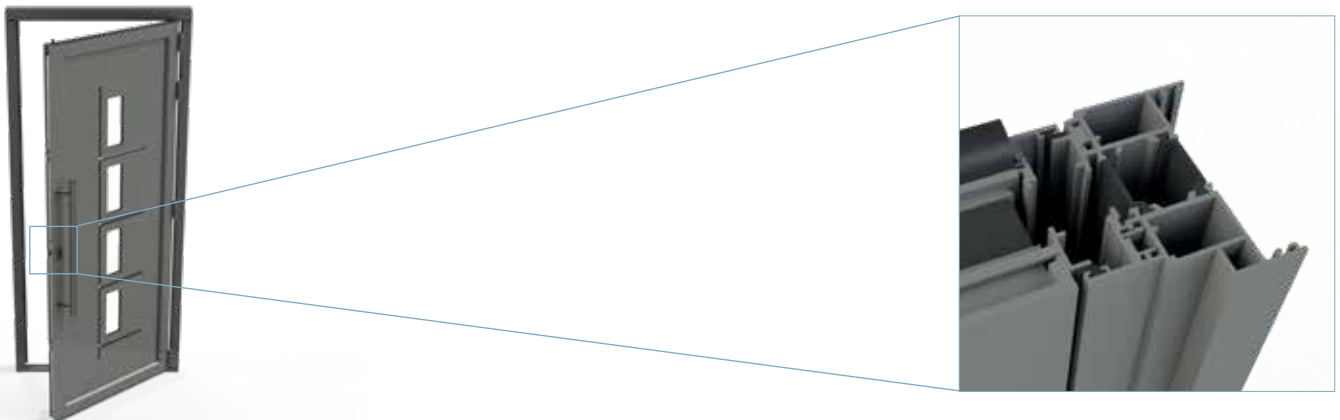
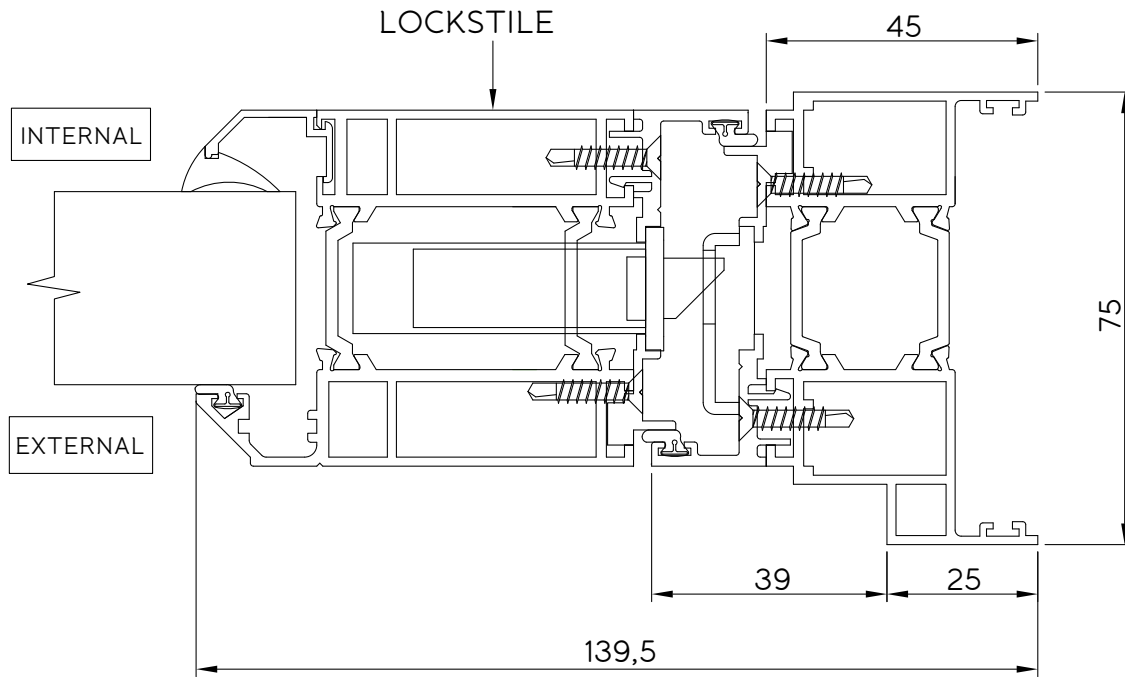
4 Window-to-track coupler detail



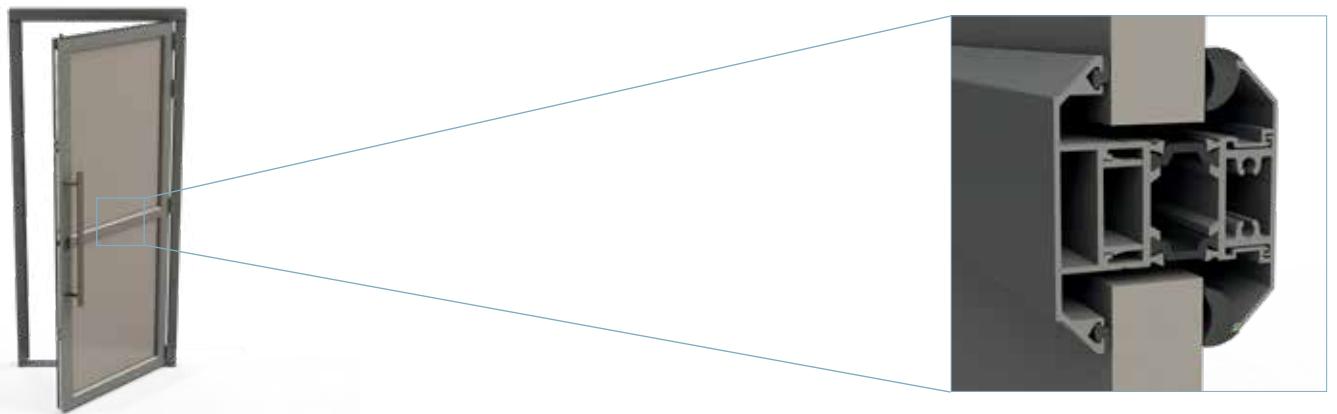
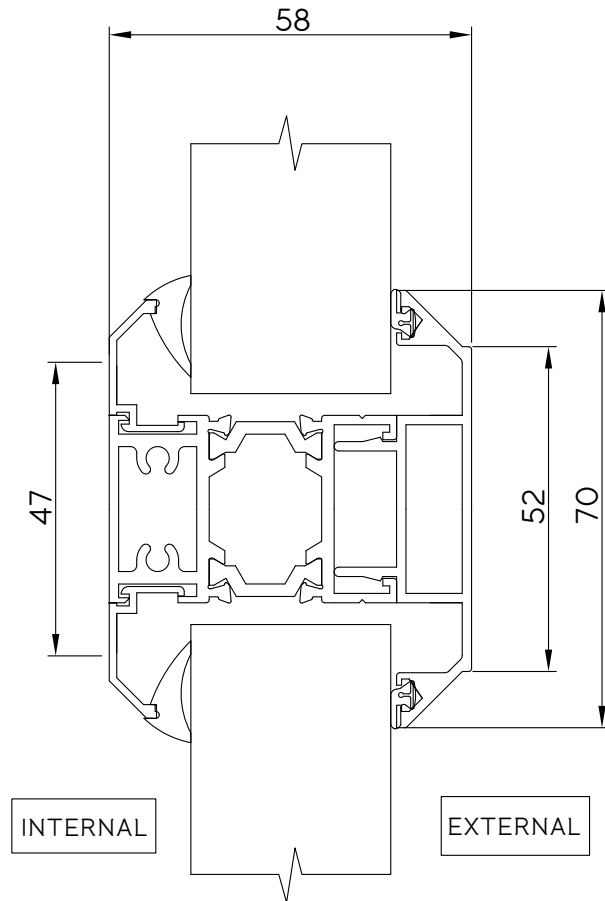
5 Locking slave detail



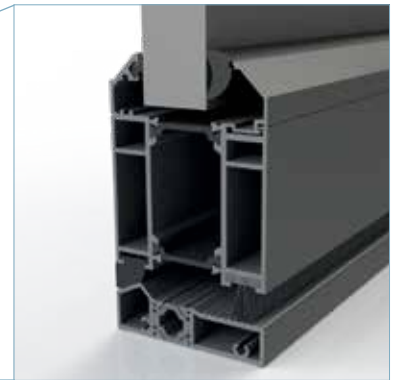
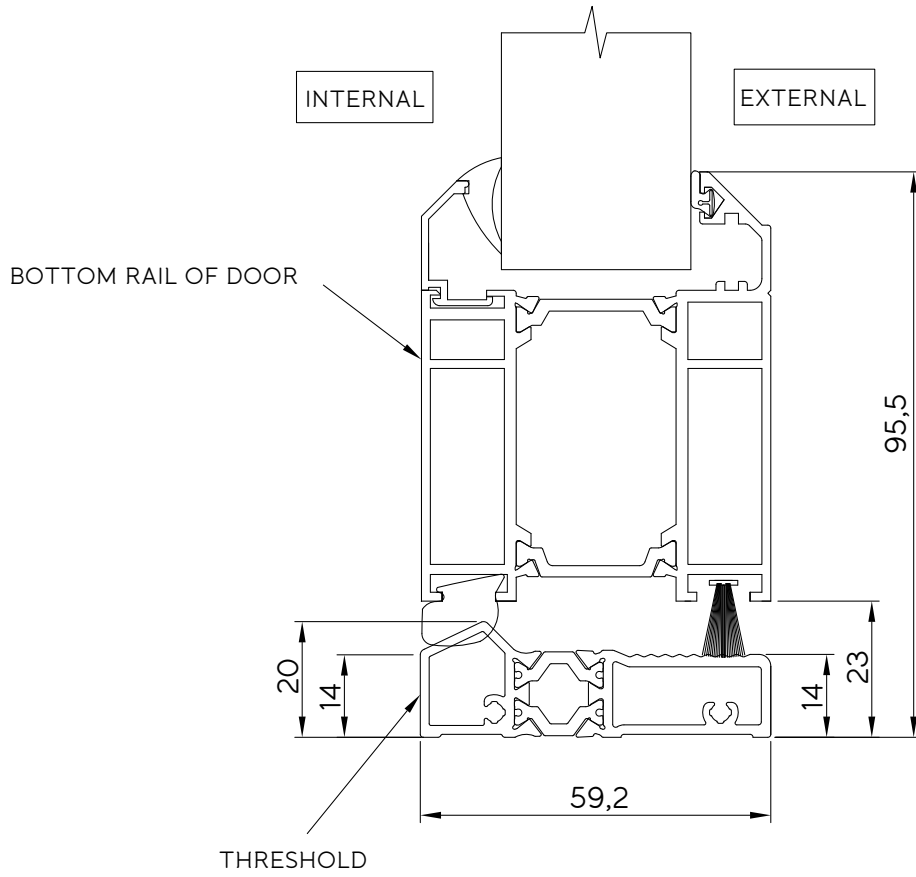
6 Locking jamb detail



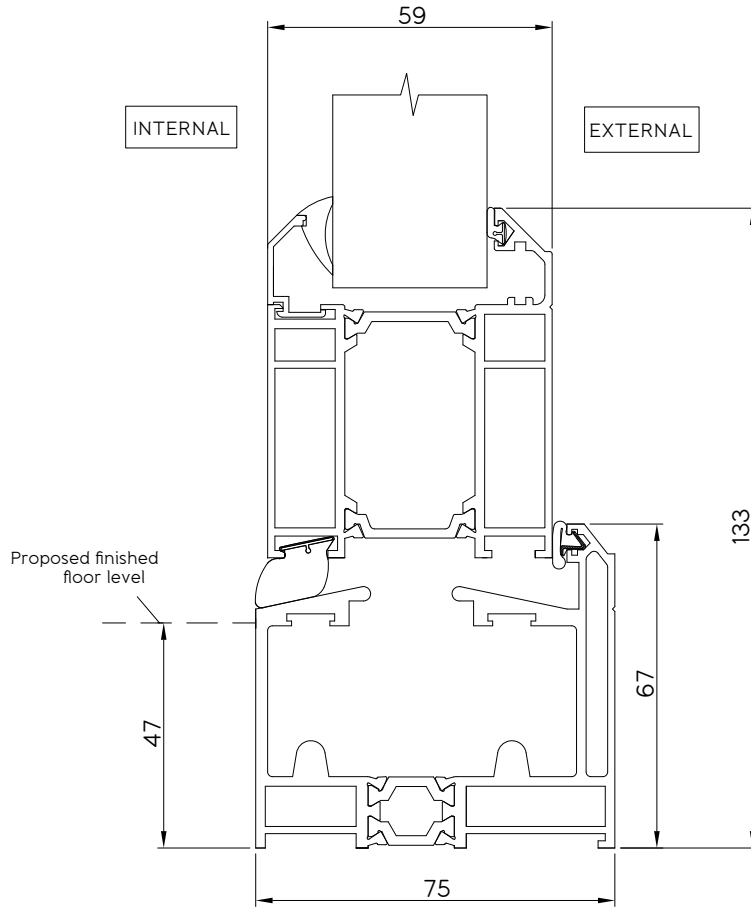
7 Mid-rail detail



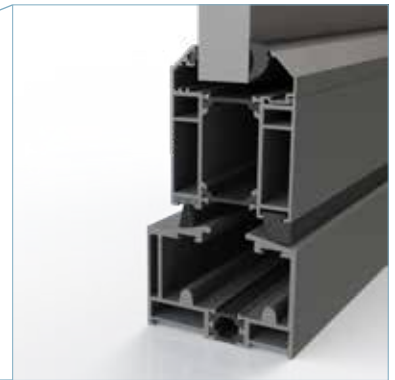
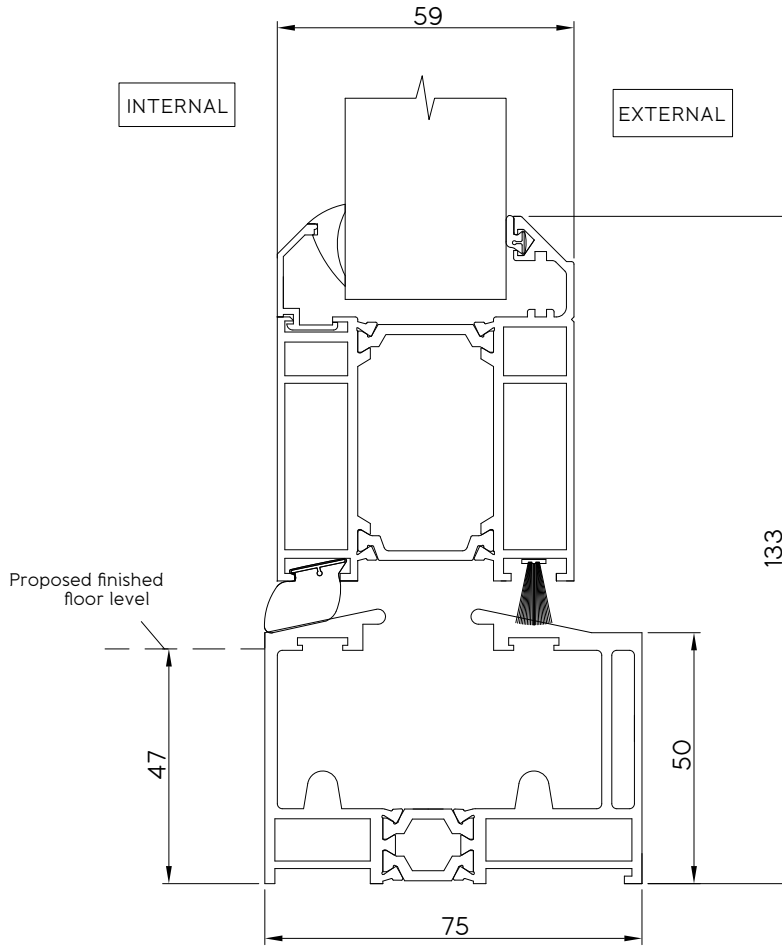
8 Mobility threshold detail



8a Weathered threshold detail

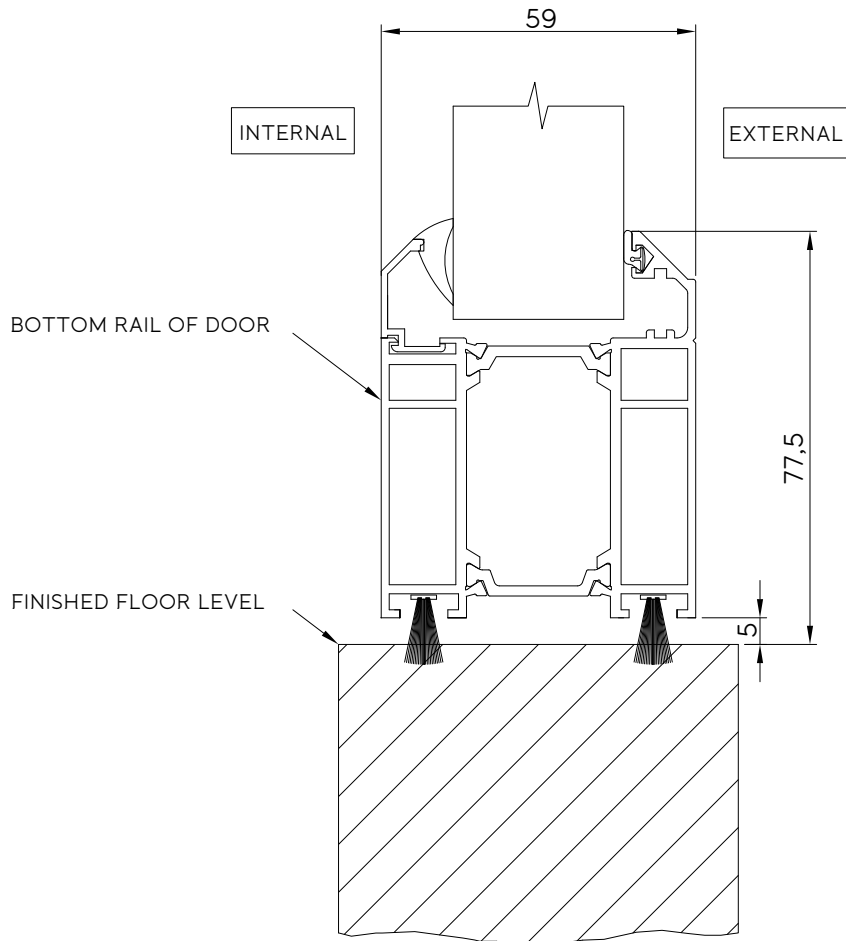


8b Non-weathered threshold detail

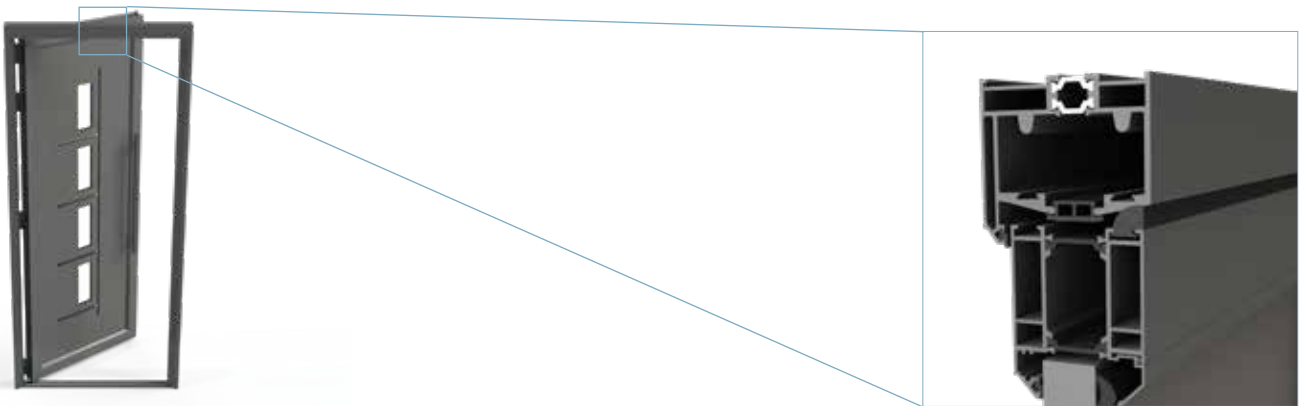
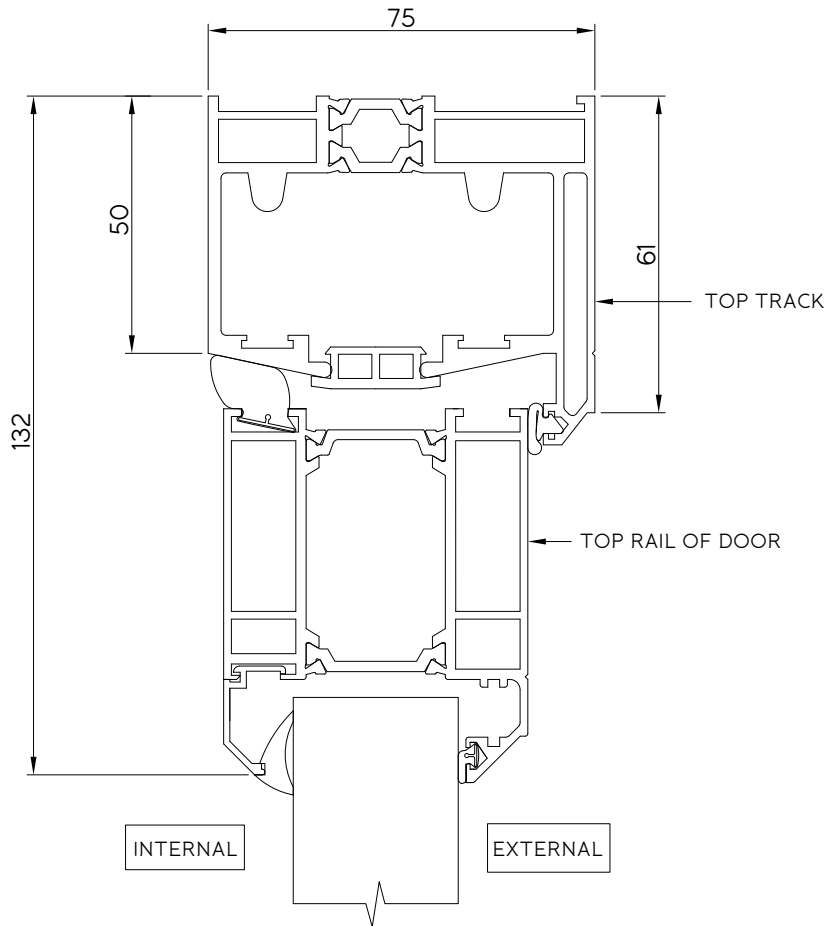


8c No threshold detail

(Garage door only)

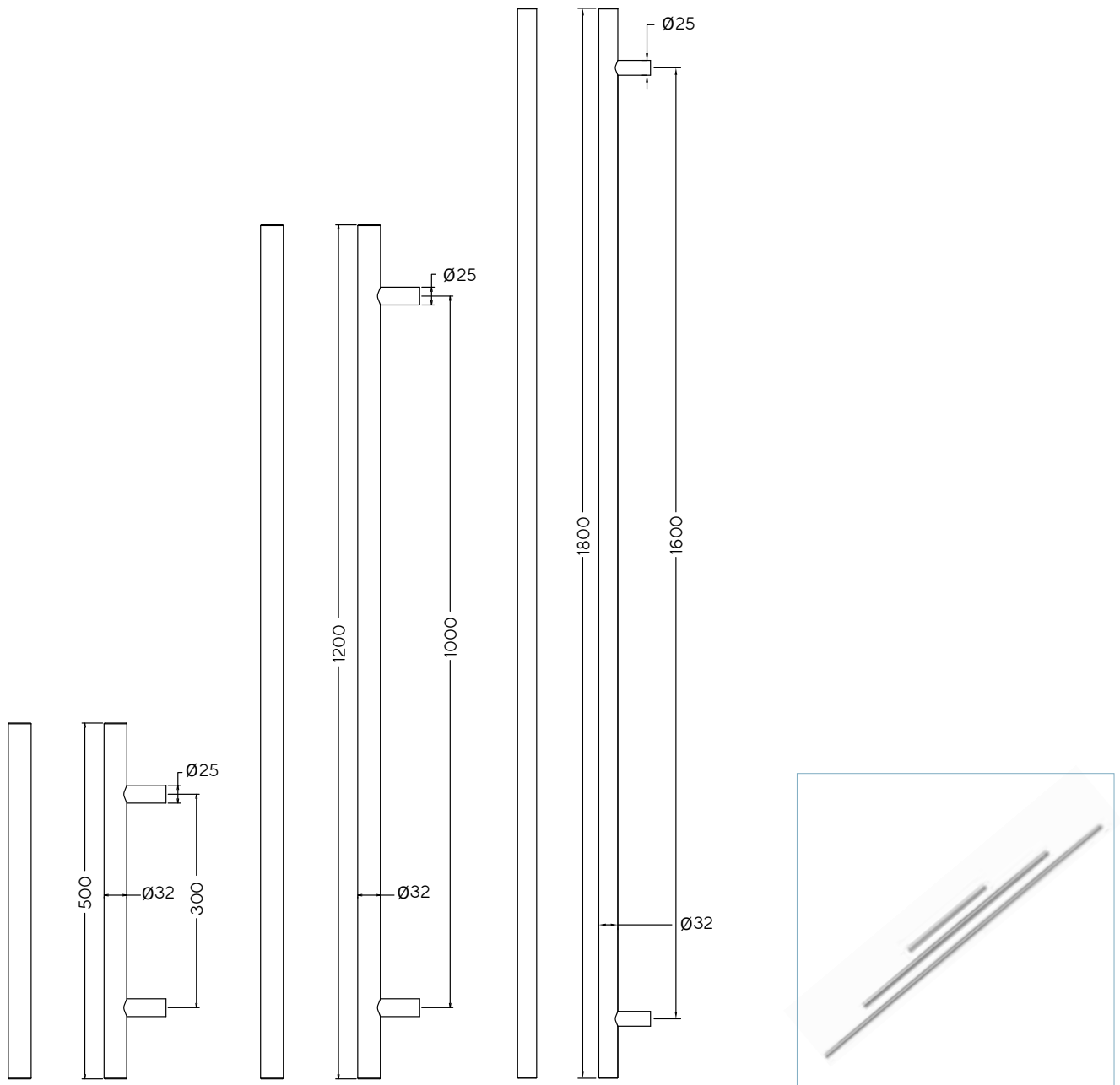


9 Top track detail



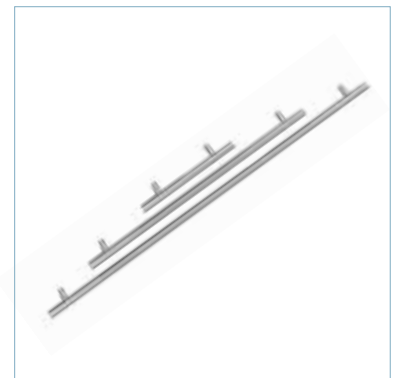
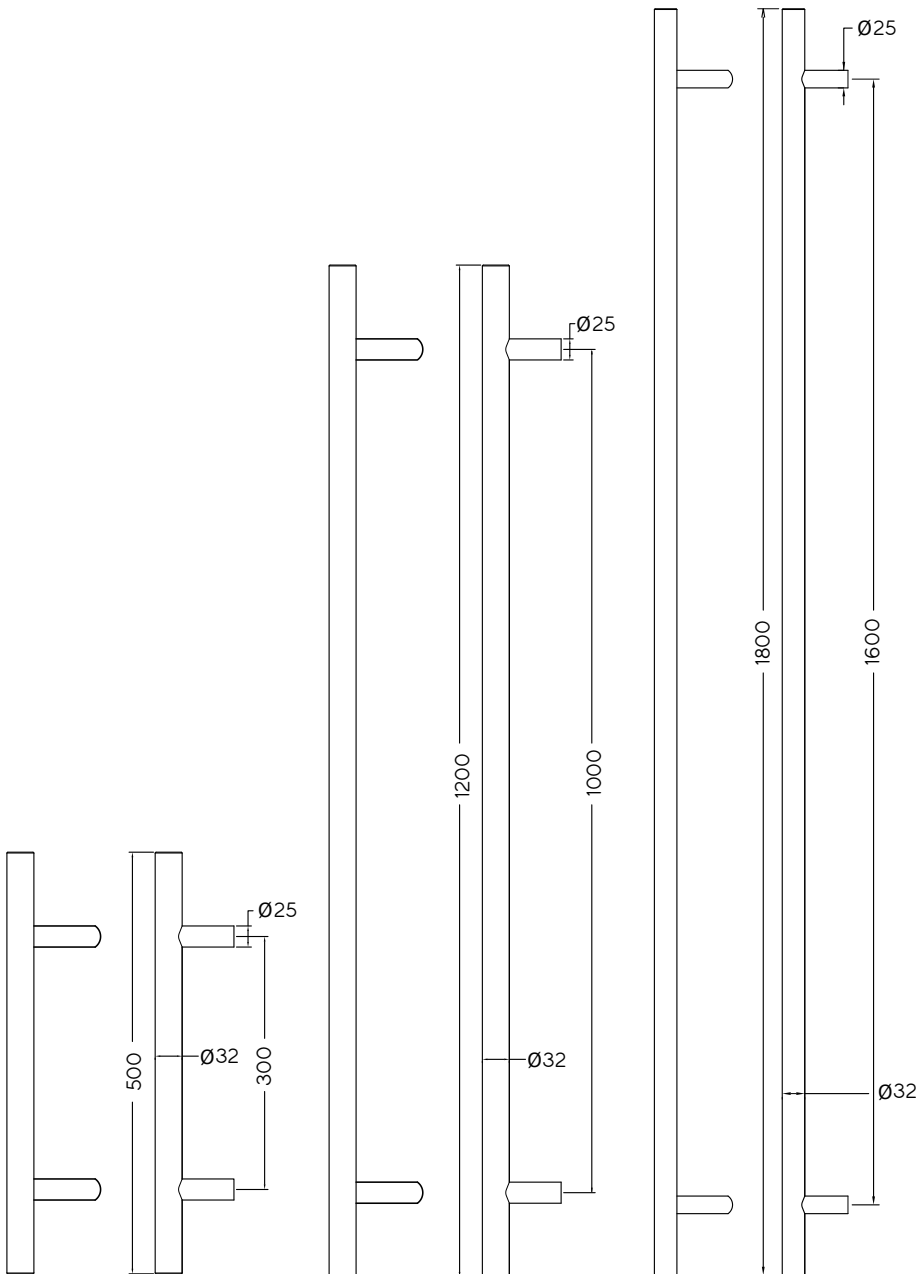
Handles

Hafi straight bar handle



Available in 3 sizes: 500mm, 1200mm and 1800mm.

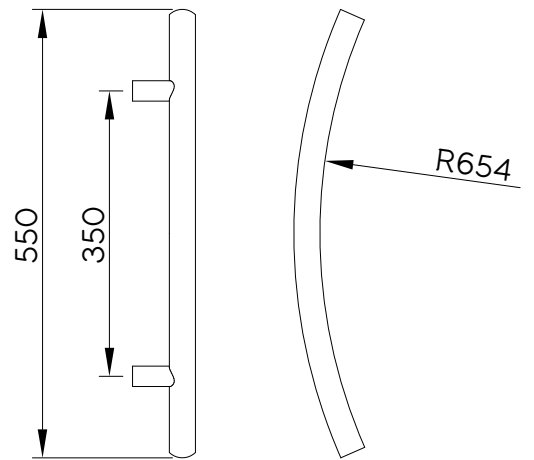
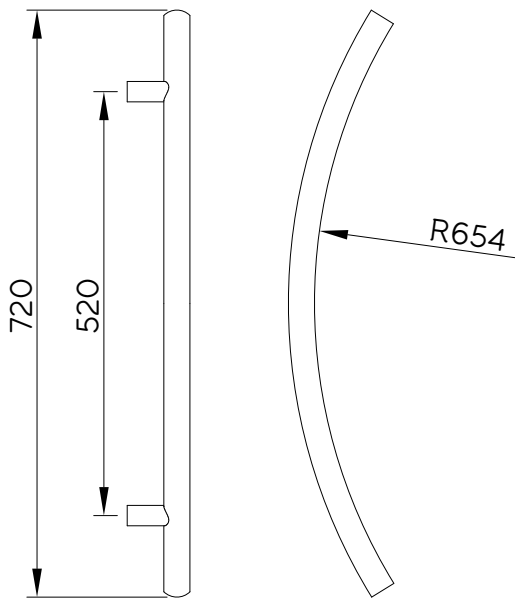
Hafi offset bar handle



Available in 3 sizes: 500mm, 1200mm and 1800mm.

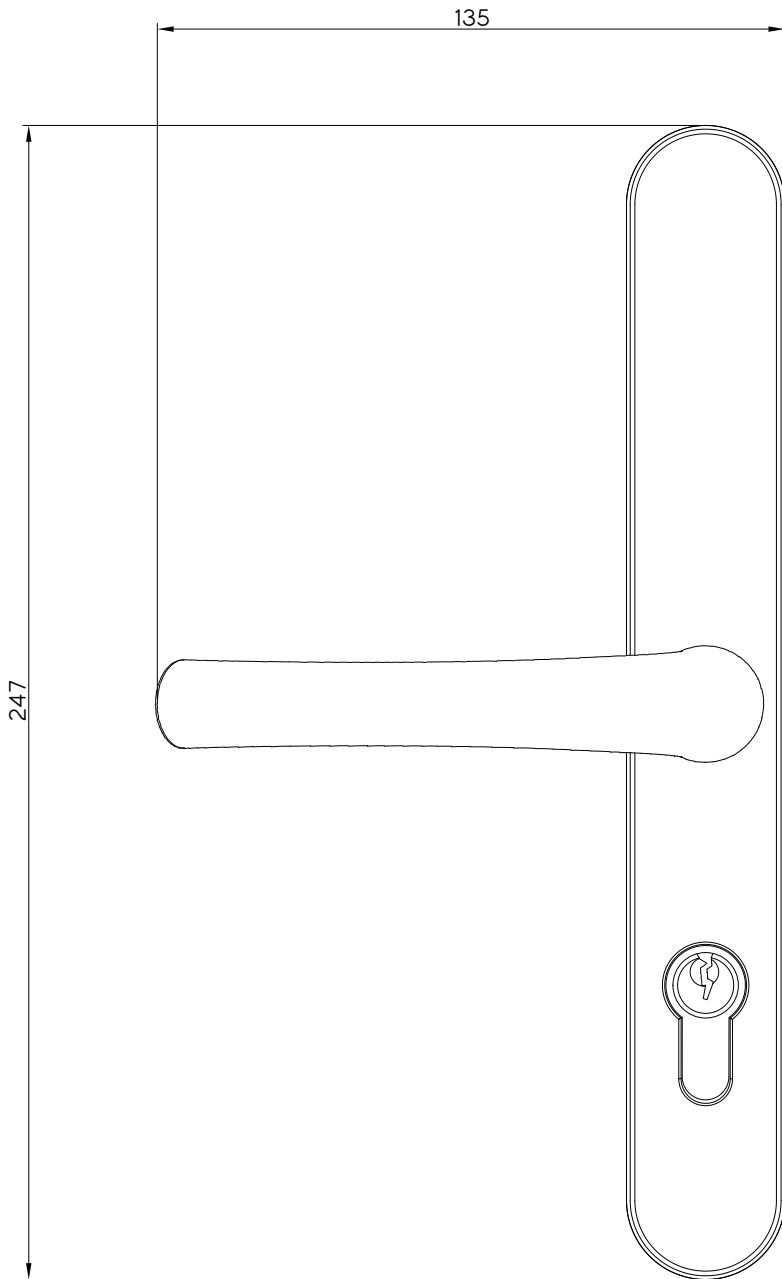
Handles

Bow bar handle



Available in 2 sizes: 550mm and 720mm.

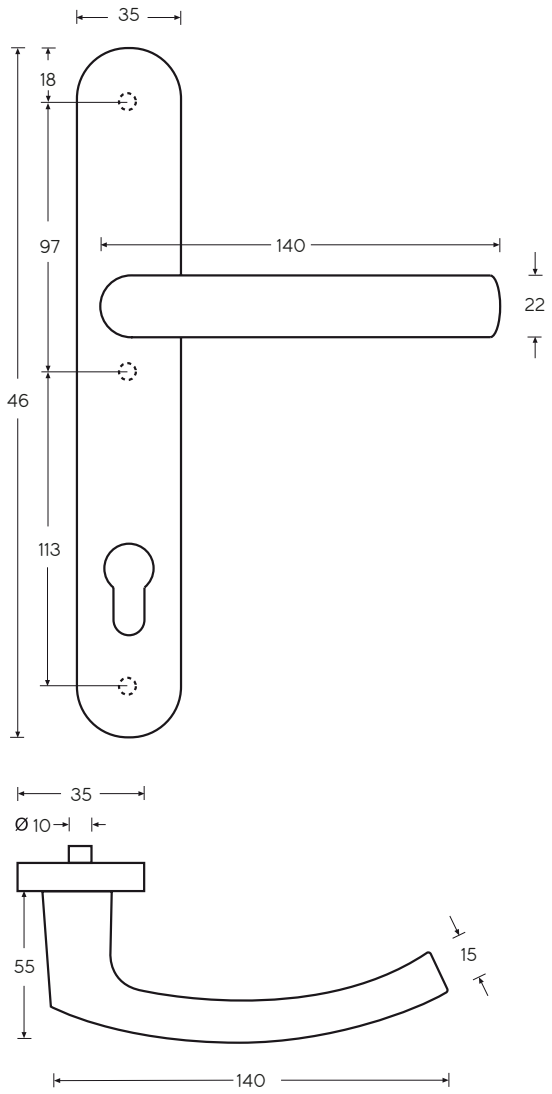
Yale lever handle



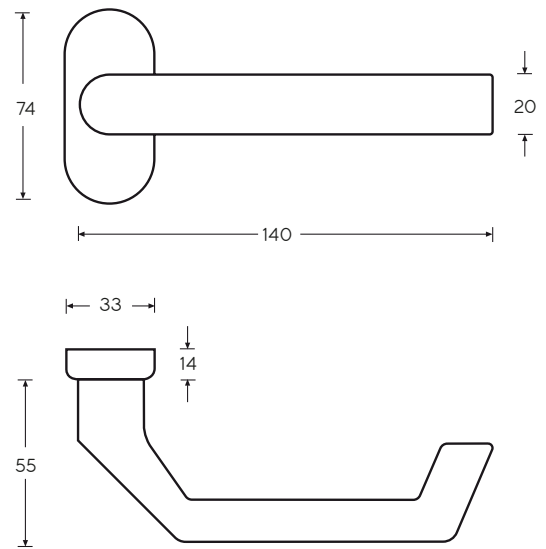
Available in 4 popular colours: white, chrome, black and gold.

Handles

Hafi handle 253/ 270

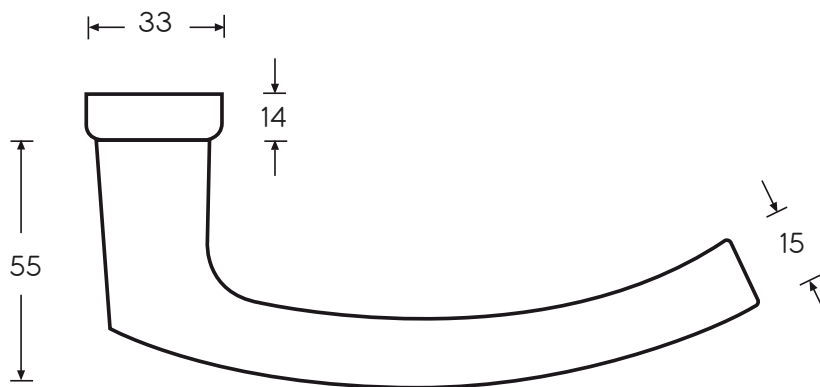
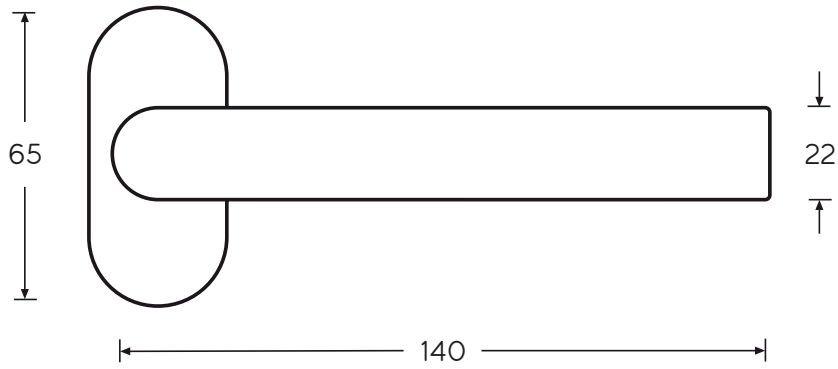


Hafi handle 251/ 280



Hafi handles are available in a stainless steel finish or colour coded.

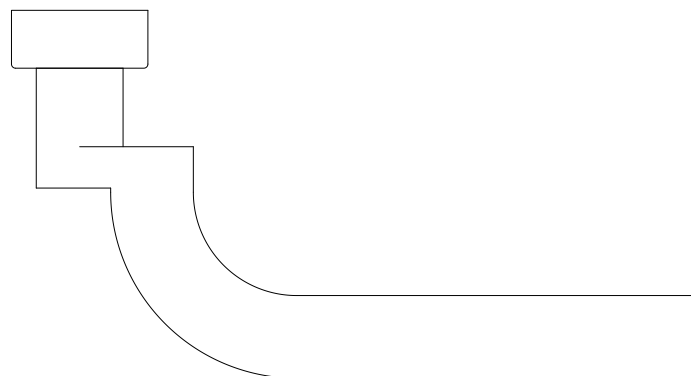
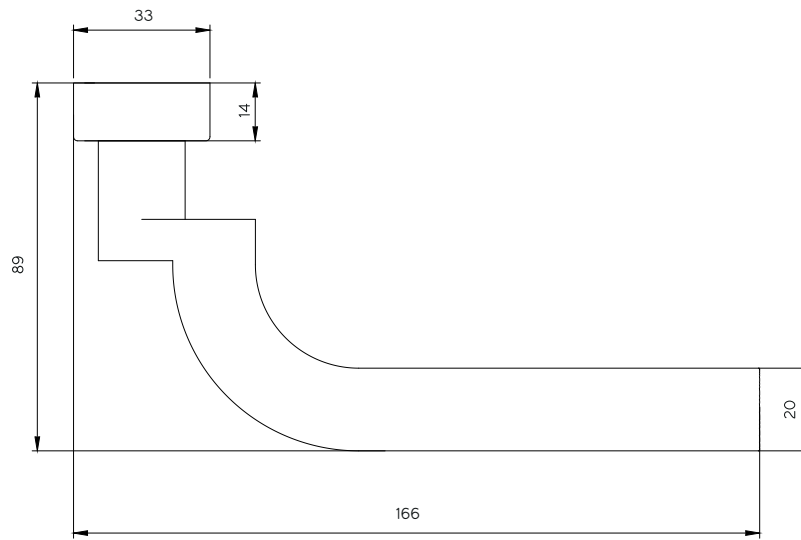
Hafi handle 253/ 280



Hafi handles are available in a stainless steel finish or colour coded.

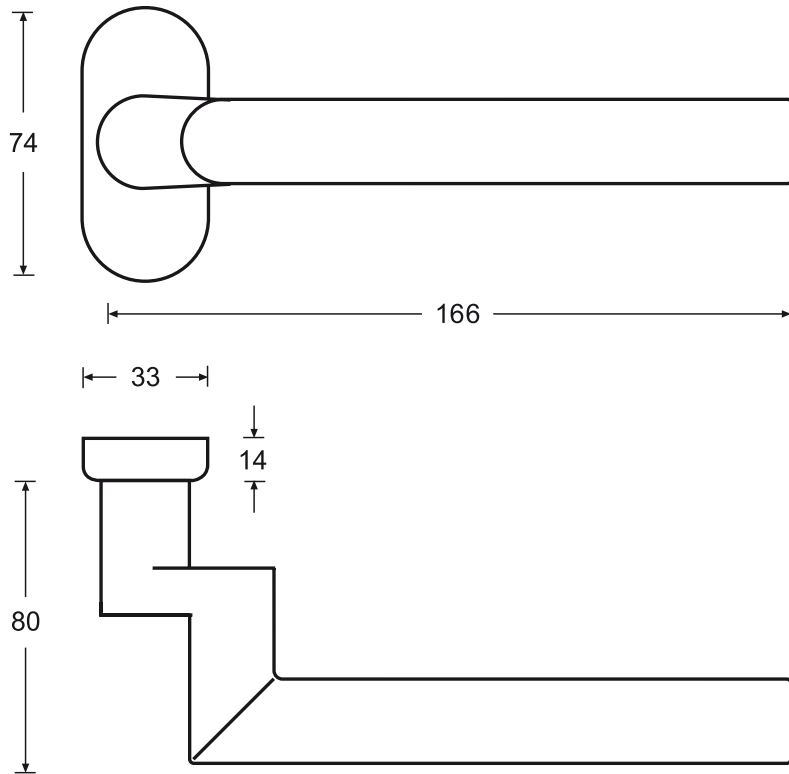
Handles

Hafi handle 301/ 280



Hafi handles are available in a stainless steel finish or colour coded.

Hafi handle 303/ 280



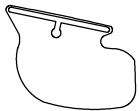
Hafi handles are available in a stainless steel finish or colour coded.

Gaskets

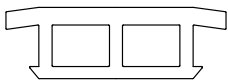
Door Gaskets

QL9135

Black, white,
colour-coded



TRACK GAP
GASKET



QL9141

Black, white,
colour-coded



BRUSH STRIP 11mm



QL4636

Black



BRUSH STRIP 13mm



QL9257

Black, white,
colour-coded



QL9135, QL9141 and QL9257 are available in the following colours: black, white, graphite grey, light grey, light oak, bronze and chestnut brown

Double Glazing Gaskets 24mm and 28mm

E3434

Black, white,
colour-coded



W474

Black, white,
colour-coded



E3434, W474 and W488 are available in the following colours: black, white, late grey, anthracite grey, light grey, light oak, bronze and chestnut brown

Triple Glazing Gaskets 32mm

QL4627

Black



W488

Black, white,
colour-coded



Window Glazing Gaskets

GLAZING REBATE B2018

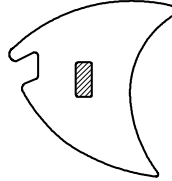
Black



W473P and W474 are available in the following colours: black, white, slate grey, anthracite grey, light grey, light oak, bronze and chestnut brown

FRAME WEDGE 28MM W473P

Black, white, colour-coded

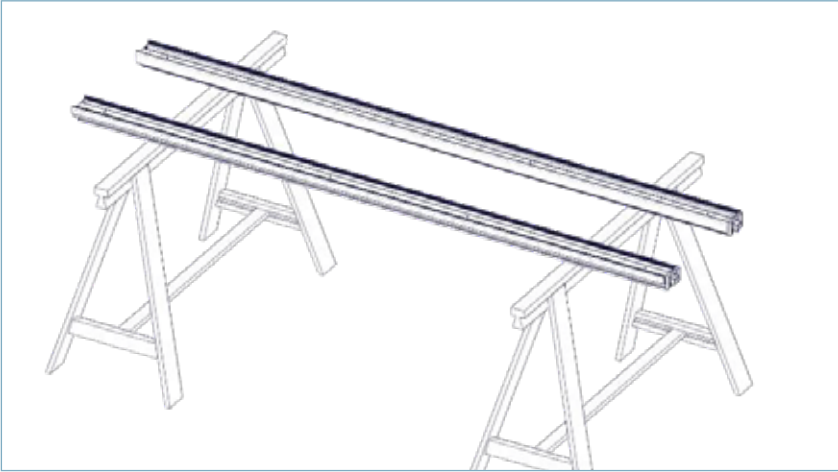


FRAME WEDGE 44MM W474

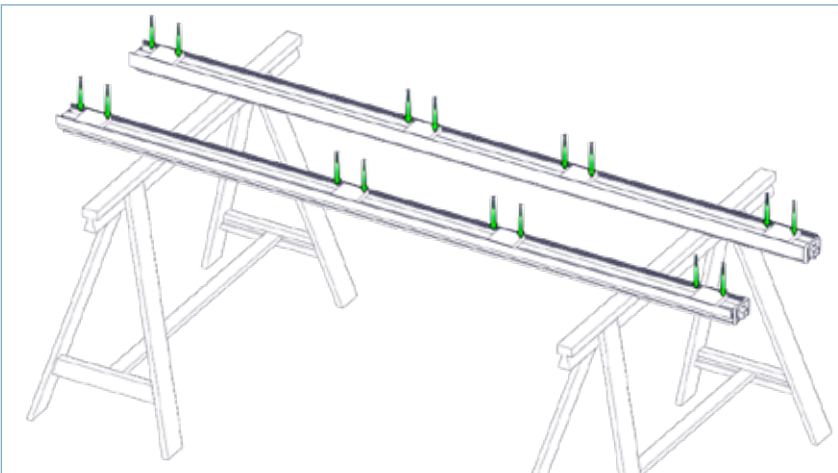
Black, white, colour-coded



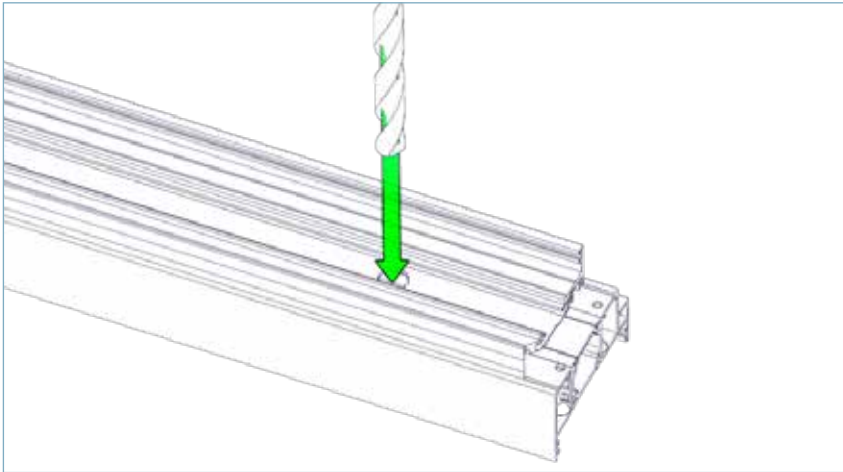
Installation Guide



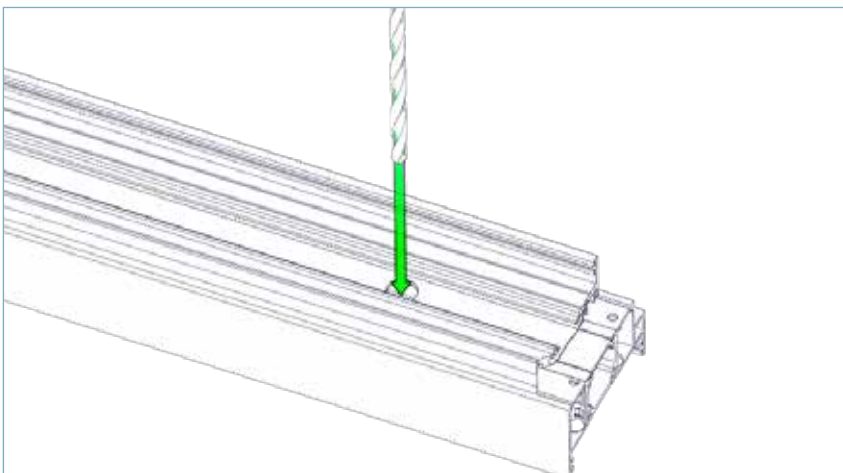
1. Lay jambs on a flat surface, preferably a pair of trestles.



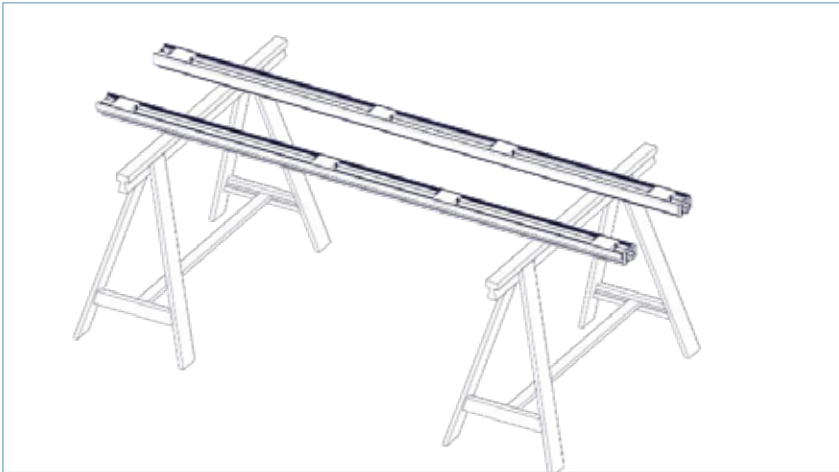
2. Secure the jamb packers using a 25mm self-tapping screw either side. Ensure each of the jamb packers are positioned and secured correctly. Position fixings within 150mm of the corner. Centre fixings should be spaced 600mm apart thereafter.



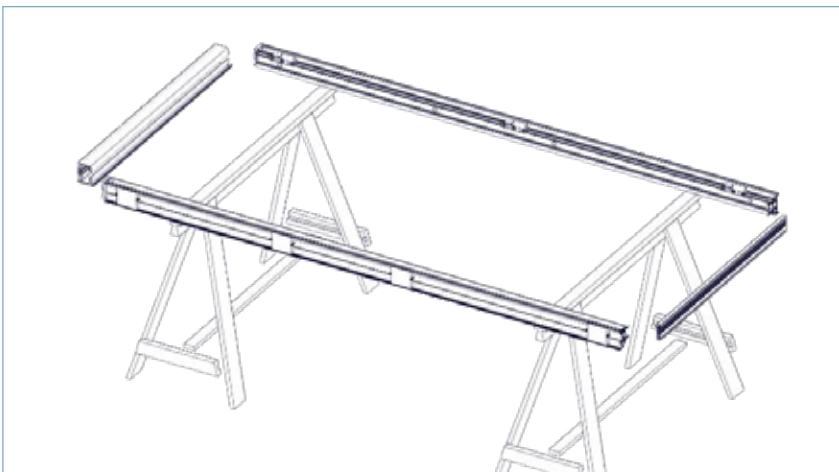
3. From the bottom of the jamb, measure and then drill fixing holes through the first layer of polyamide using a 13mm drill bit. Make sure the hole aligns with the centre of each jamb packer.



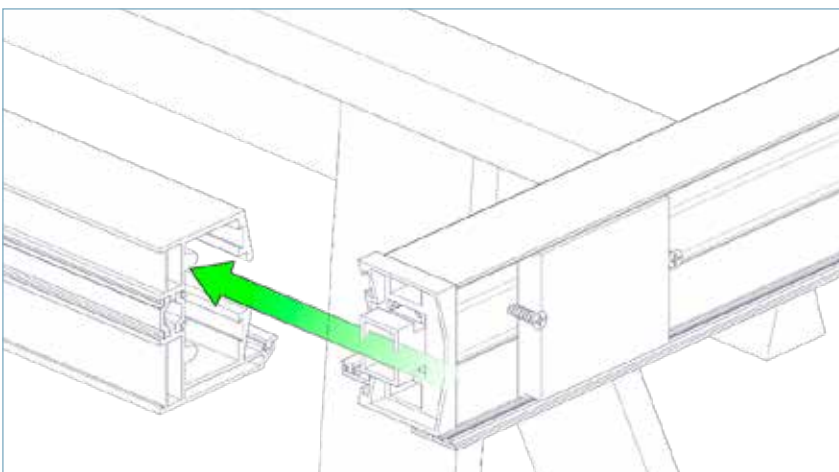
4. Then, through the 13mm hole, drill an 8mm hole through the remaining jamb and jamb packer.



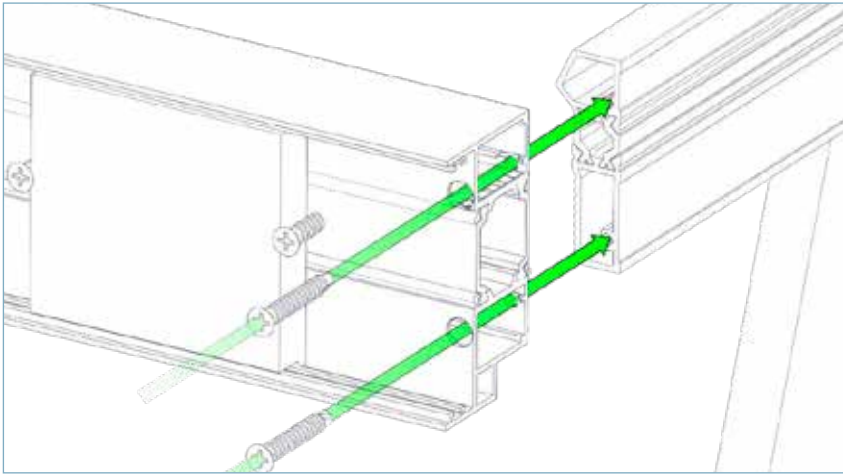
5. The jambs are now prepped and ready for assembly.



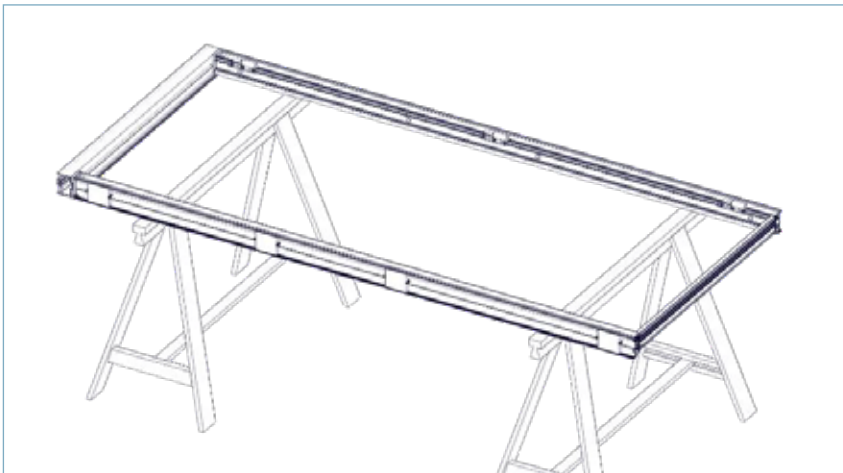
6. Still using the trestles, you now need to assemble the outer frame.



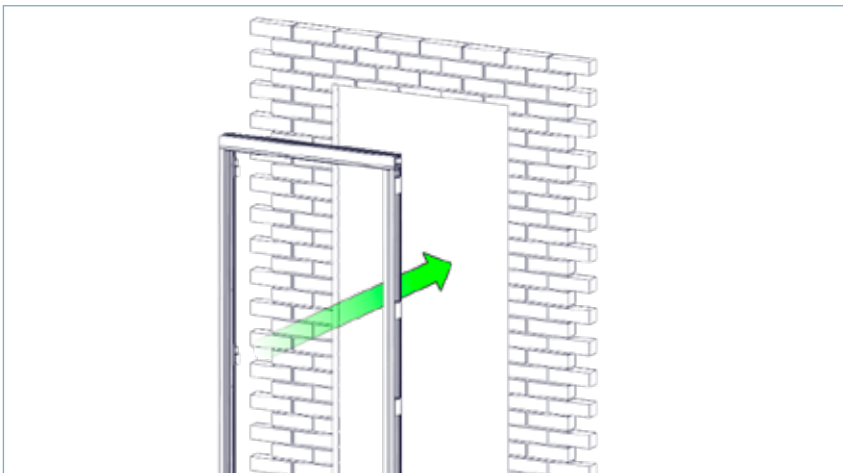
7. Starting with the top, slide the two jambs into the top track.



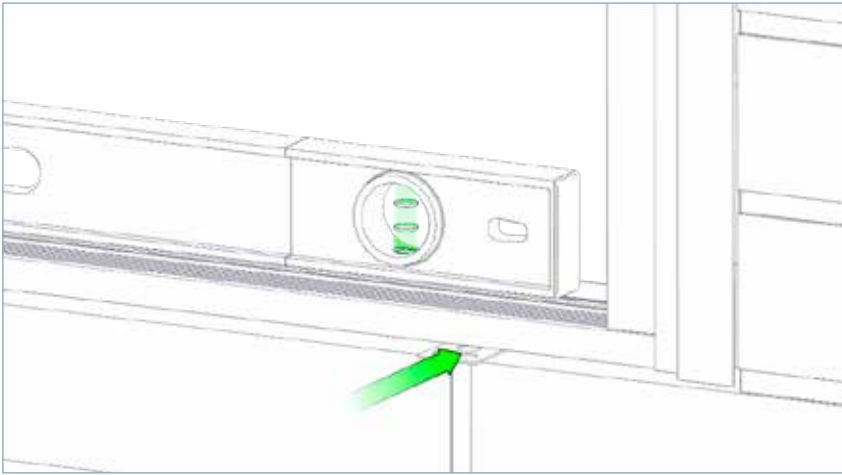
8. For the mobility threshold, secure the jambs to the threshold using two of the supplied 3.5mm screws. Seal the mating faces with silicone. If it is a standard threshold, repeat step 7.



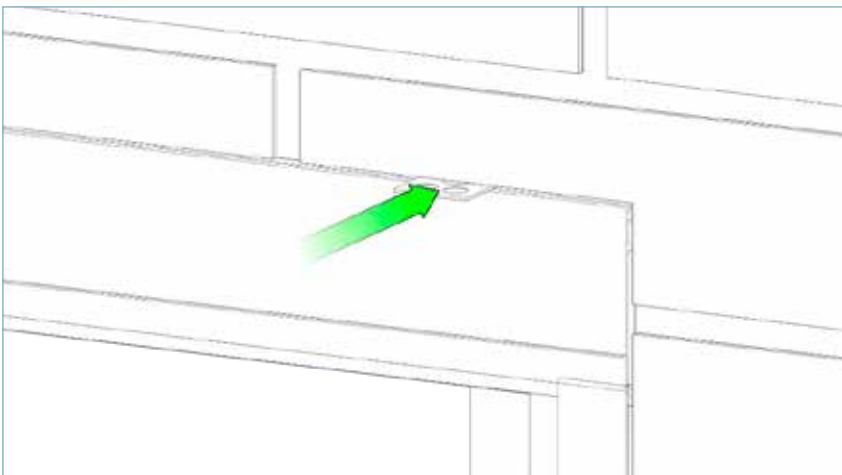
9. The outer frame should now be assembled and secured together.



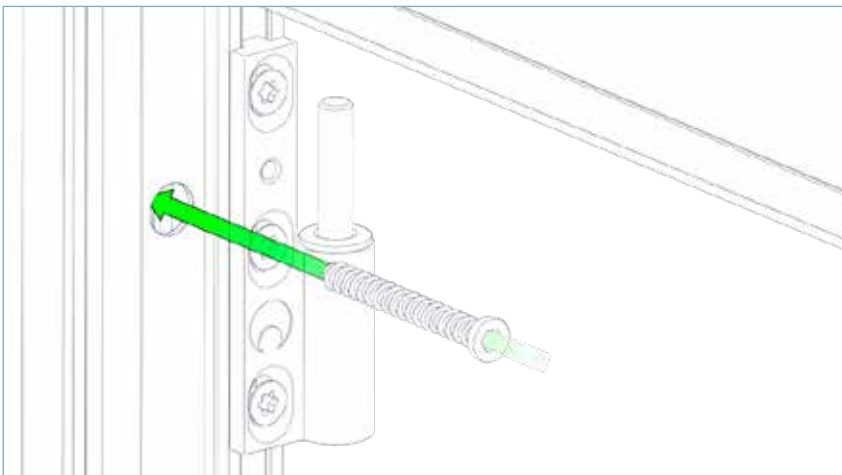
10. Position the outer frame into the opening, being careful not to scratch any of the profile



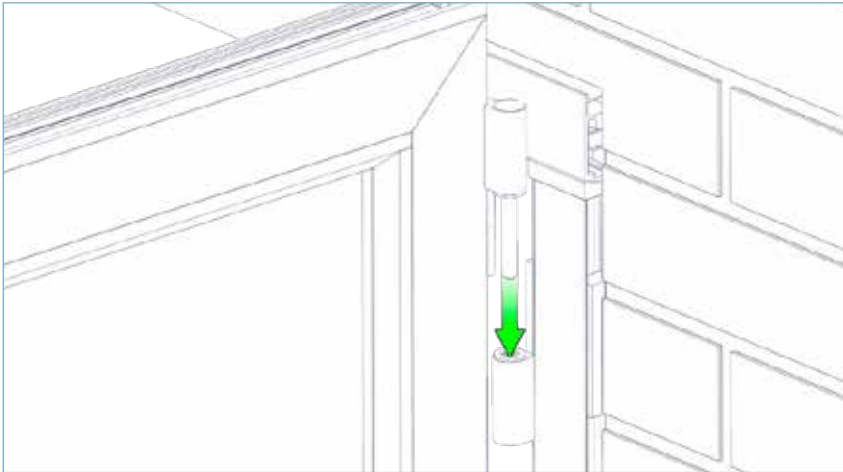
11. First, using frame packers, ensure the threshold is perfectly level.



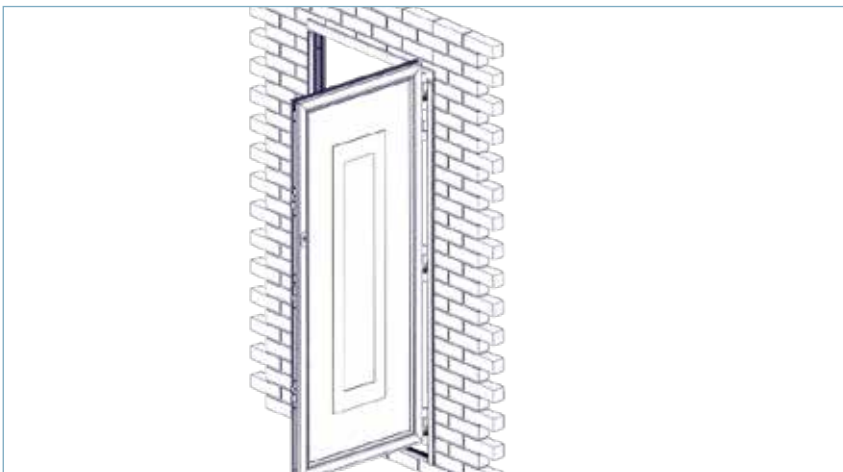
12. When level, pack out the top of the frame using the appropriate packers. Ensure this is tight but not over compressing the jamb to track connectors.



13. Starting with the hinge side, pack out the jamb so it is perfectly level and secure through the fixing holes prepared earlier using appropriate fixings.



14. Once the jambs are securely fixed into place, carefully unwrap the sash and lift onto the jamb using the hinge pins to locate it.



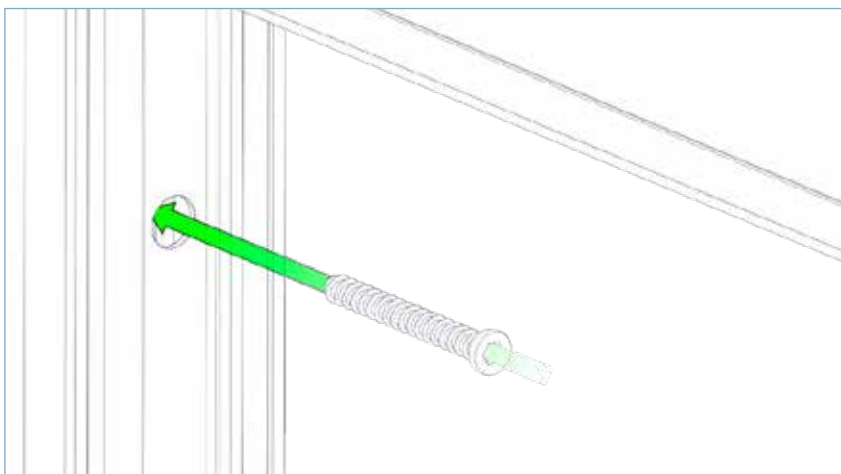
15. Check all the hinge pins are correctly engaged in the hinges.



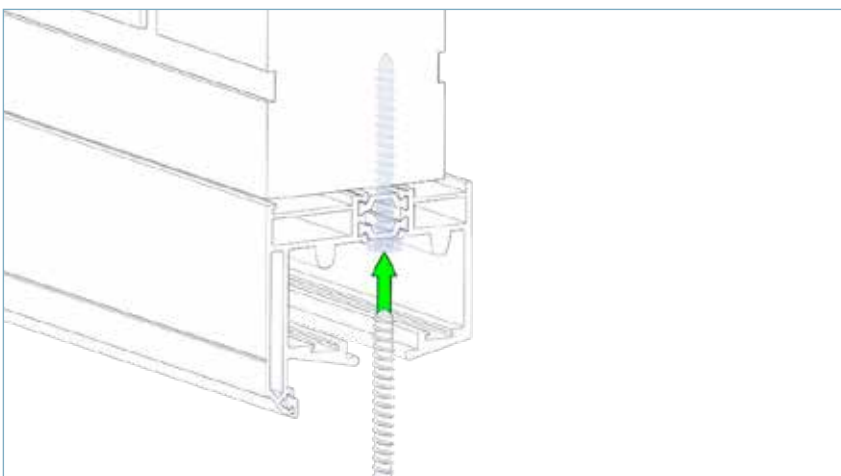
16. Find the separately provided hinge leaf and slide onto the exposed hinge pin.



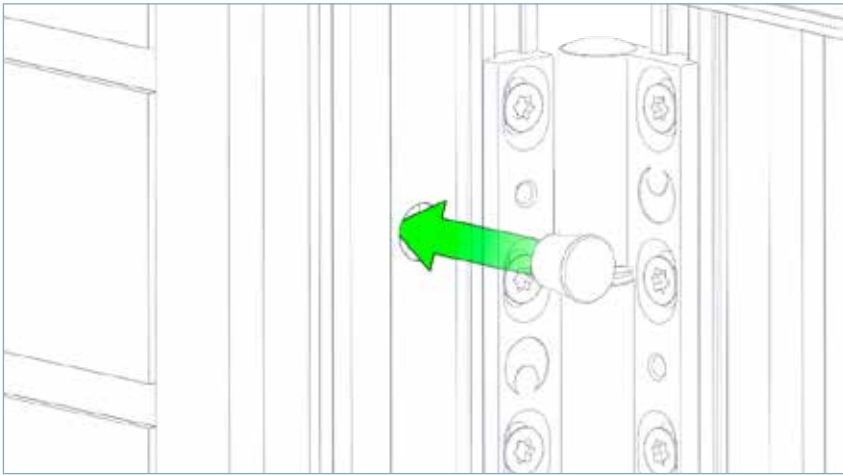
17. Carefully secure the hinge leaf to the jamb using the provided screws.



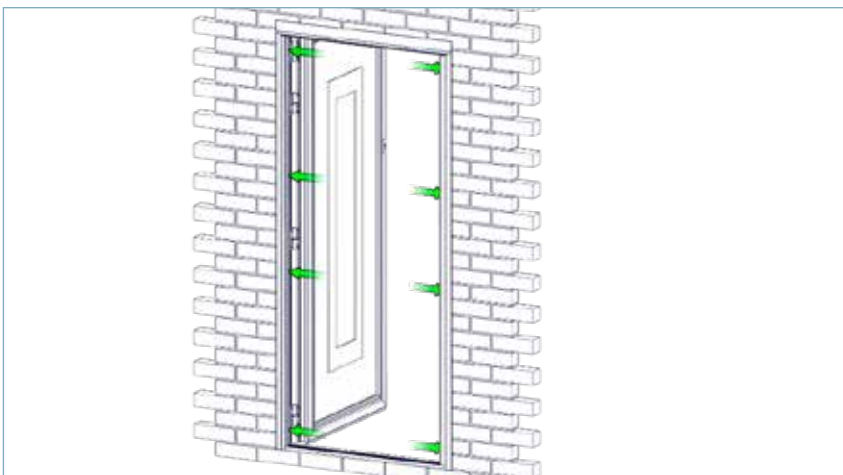
18. Using the door as a gauge, ensure the locking jamb runs parallel to the edge of the door with the correct spacing (approximately 4mm). Once this is achieved, pack out the jamb and secure using appropriate fixings.



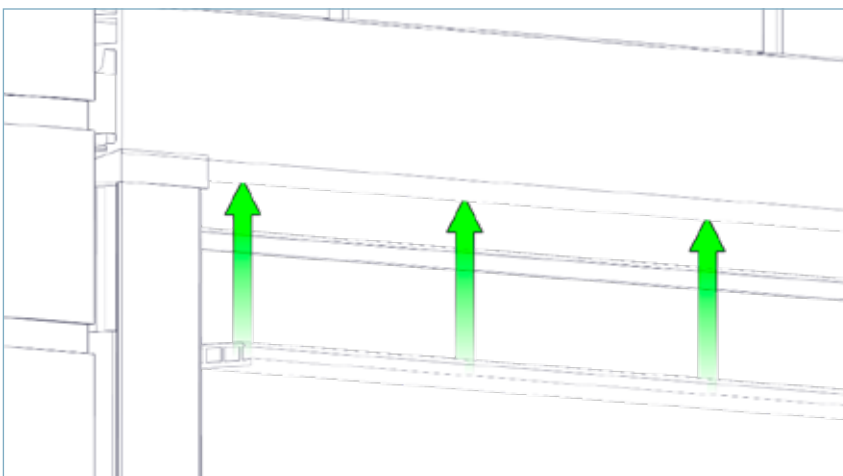
19. Using appropriate fixings, secure the top track through the polyamides. Fixings should be positioned approximately 150mm in from each jamb and no more than 600mm thereafter.



20. Insert the fixing plugs to cover up the fixing holes in the jambs.



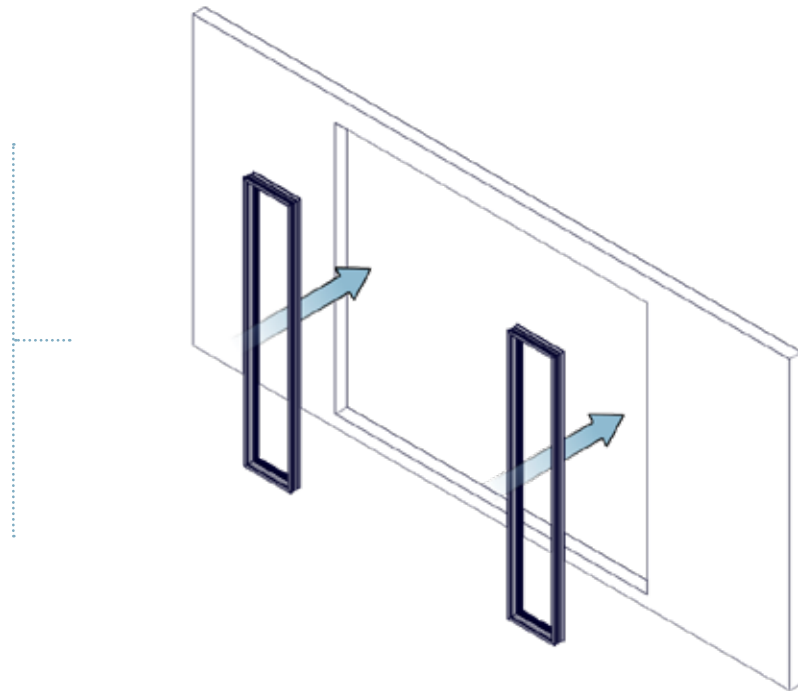
21. Ensure they are all covered.



22. Insert the track gap gasket into the bottom edge of the track.

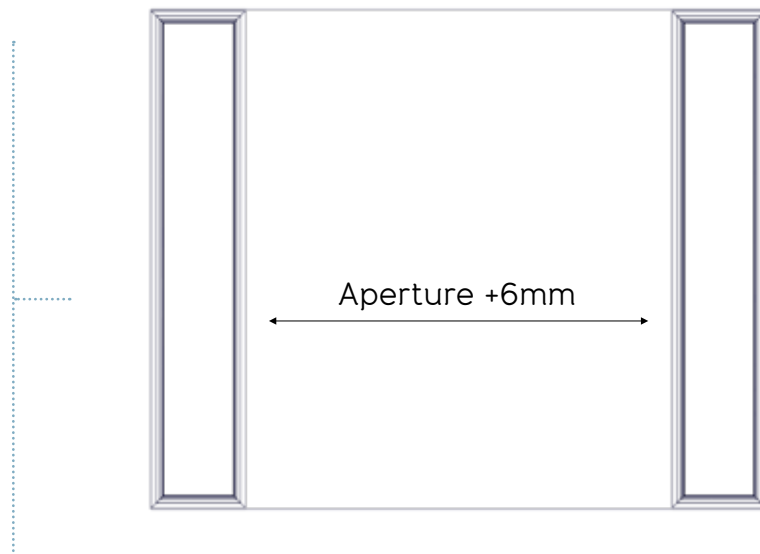
Window-to-jamb Coupler Installation Guide

Install the windows
as described in the
Installation Guide

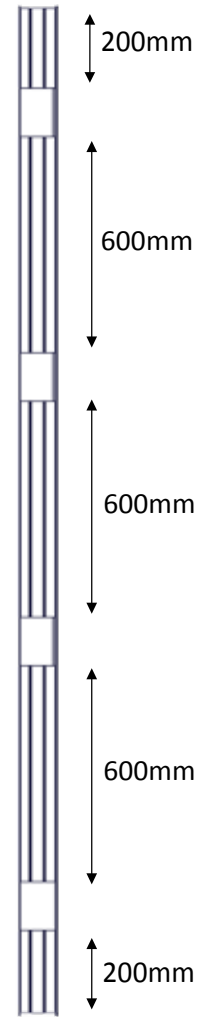
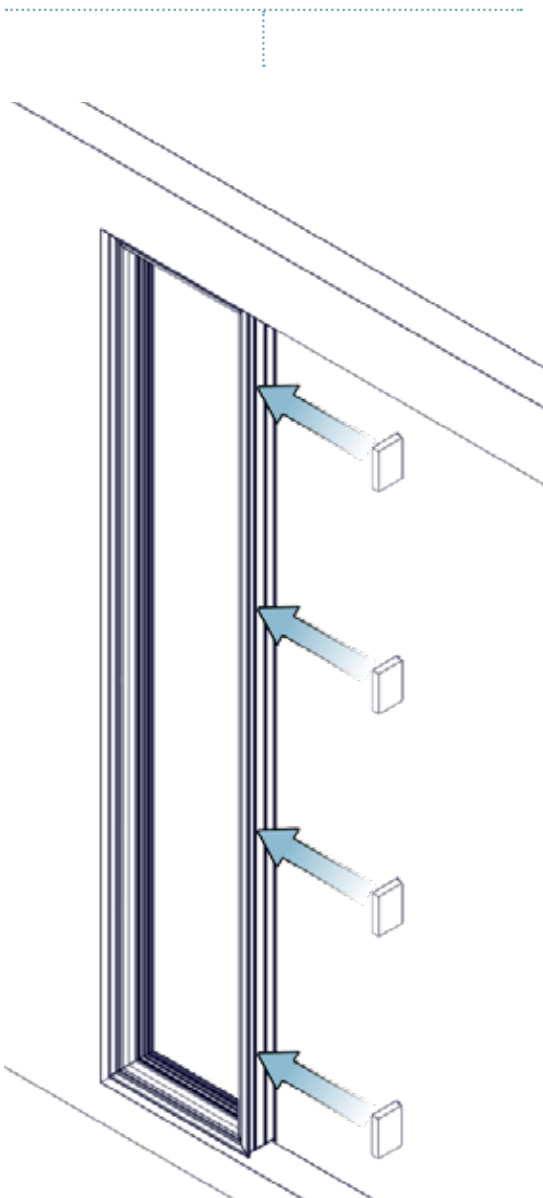


Ensure the remaining
aperture is 6mm wider
than the overall door
set width

Do not install the glass



Install the alignment block into the window frame



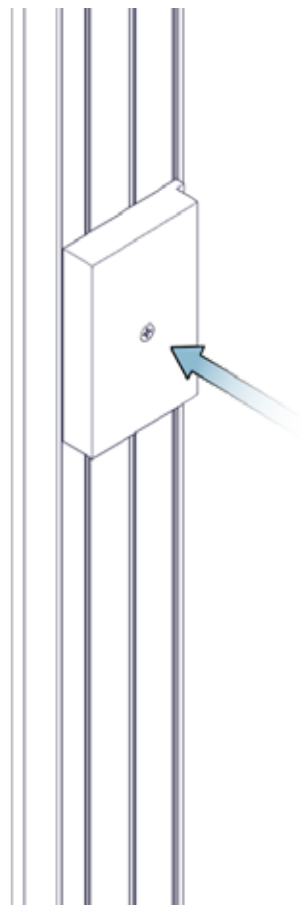
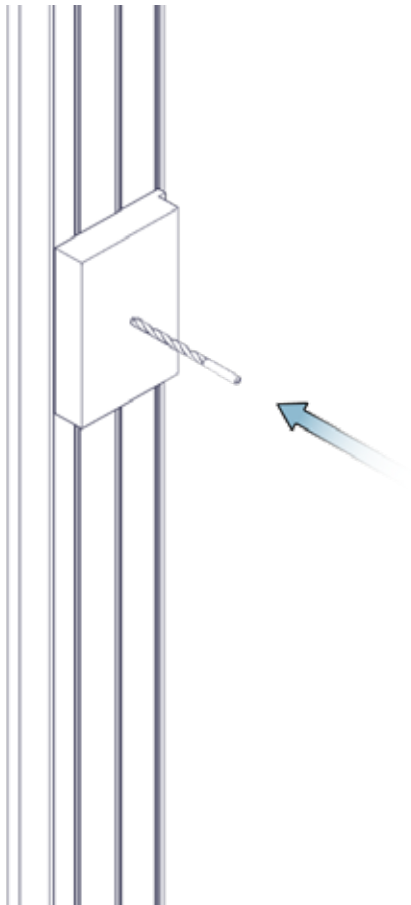
Leave 200mm from each end and evenly space the rest appropriately

Window-to-jamb Coupler Installation Guide

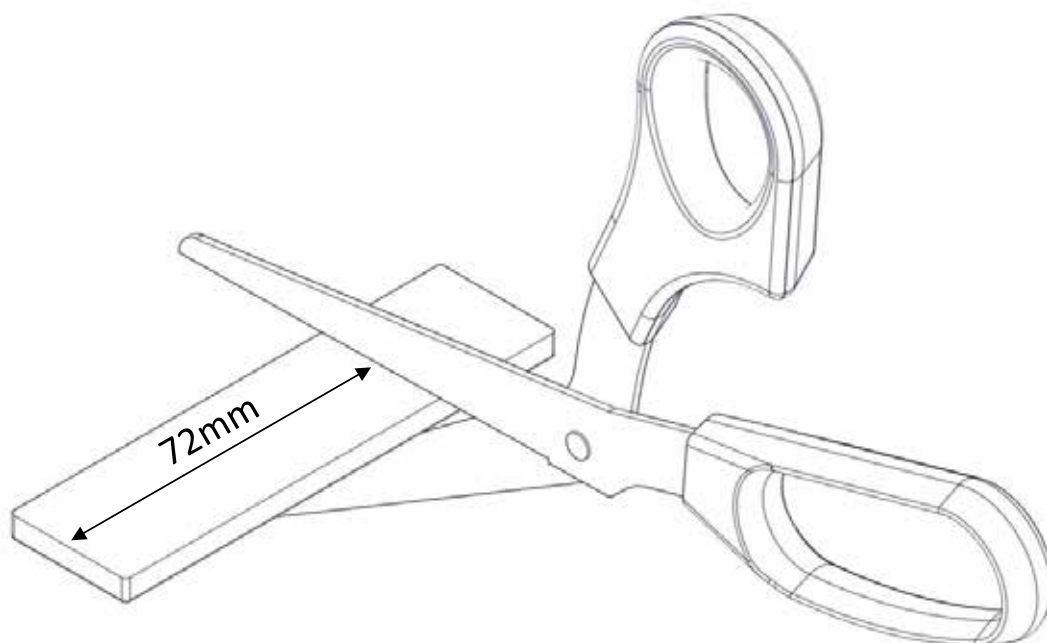
Drill, countersink and fix alignment blocks



Ensure screw is flush with surface of the block

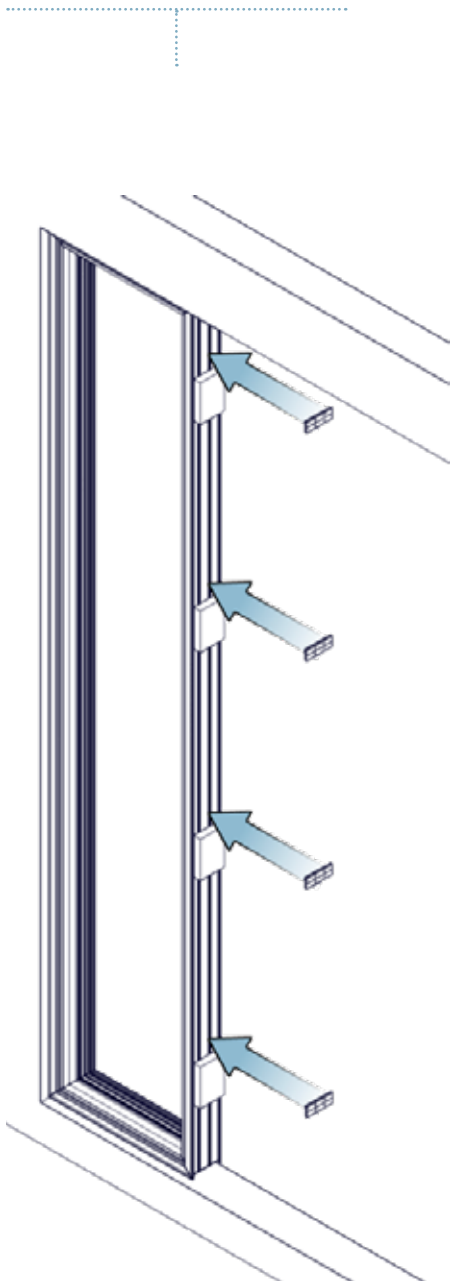


Cut down 5mm frame packers to 72mm (one for each jamb packer)



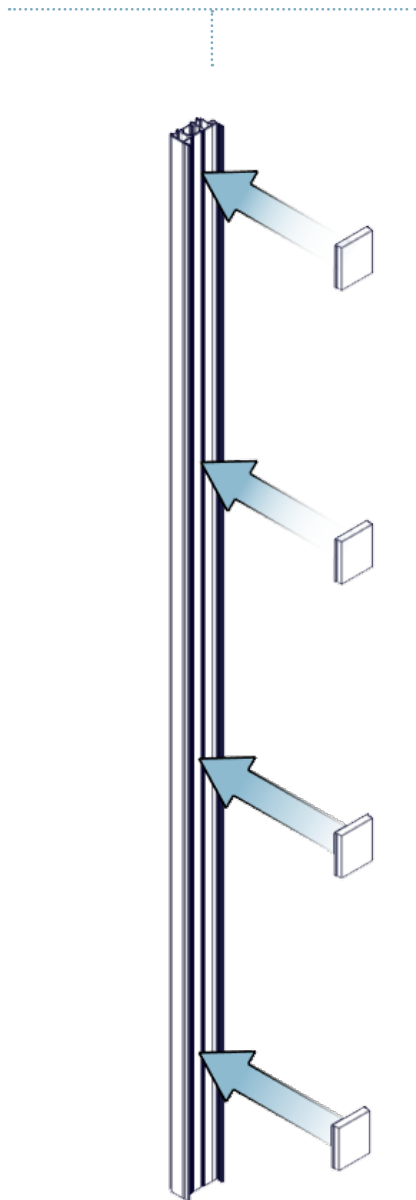
Window-to-jamb Coupler Installation Guide

Install the glazing packers

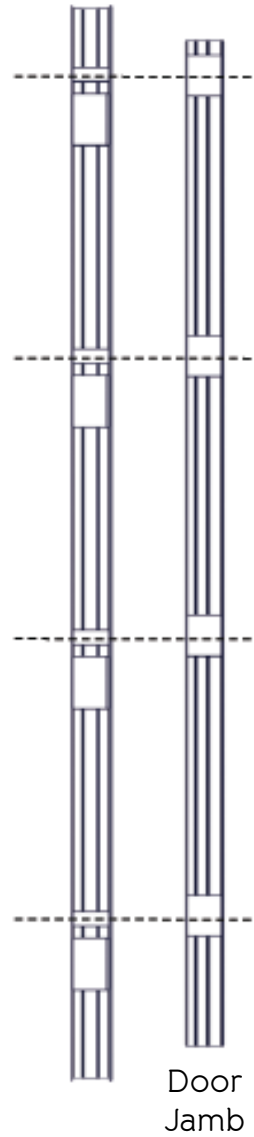


Ensure packers are positioned next to the alignment blocks

Re-position the jamb packers in the jamb

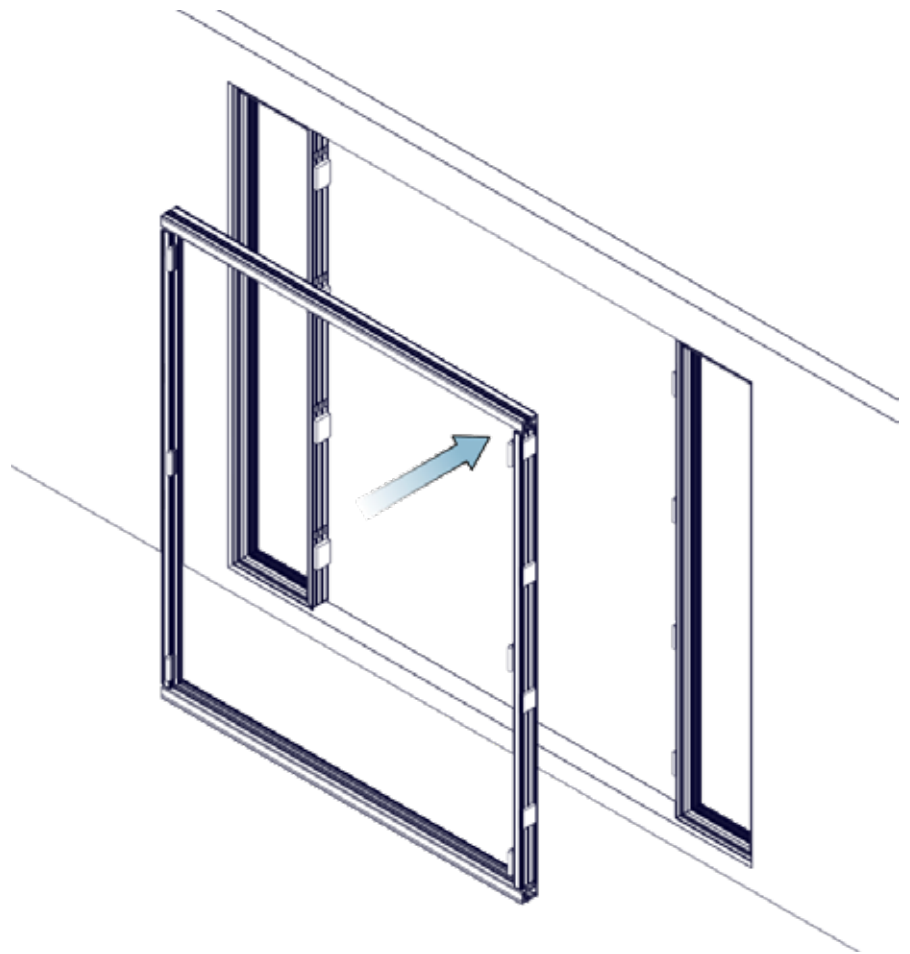


Window
Jamb



Ensure packers are spaced the same as the frame packers installed on the window frame and fix appropriately

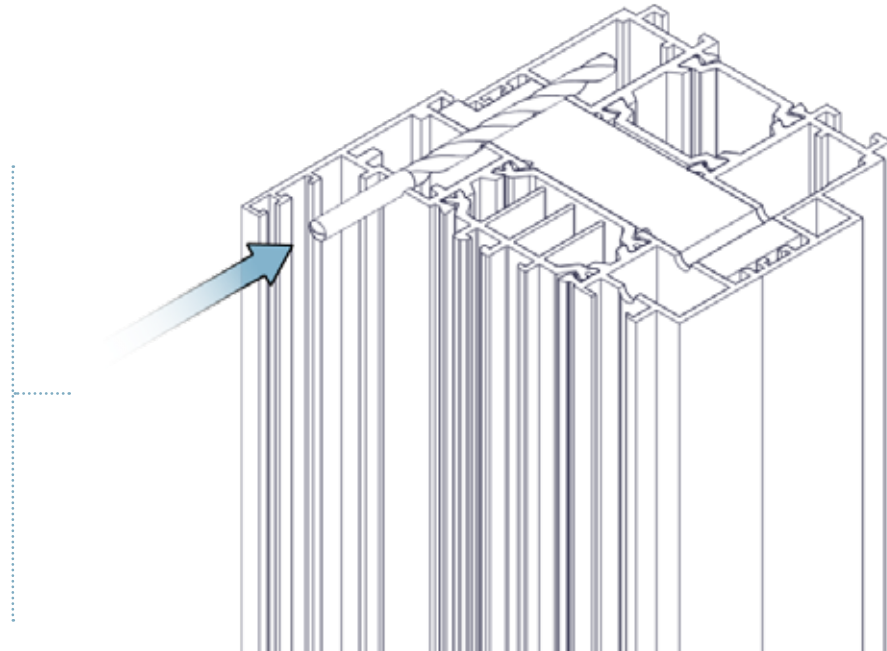
Position the door frame
into the aperture and
pack/ clamp accordingly



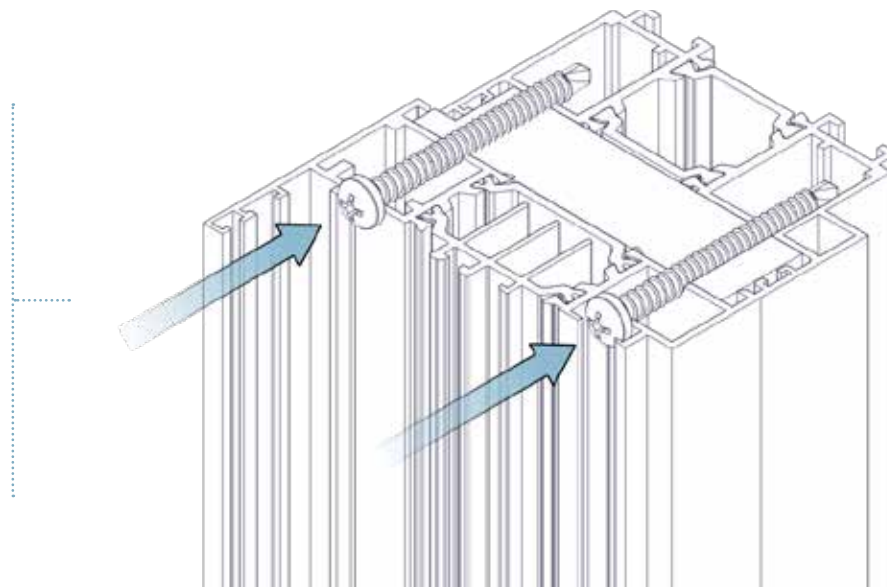


Do not drill into gasket chamber

Pre-drill the frame with a 3mm drill bit, as shown, for every jamb packer used

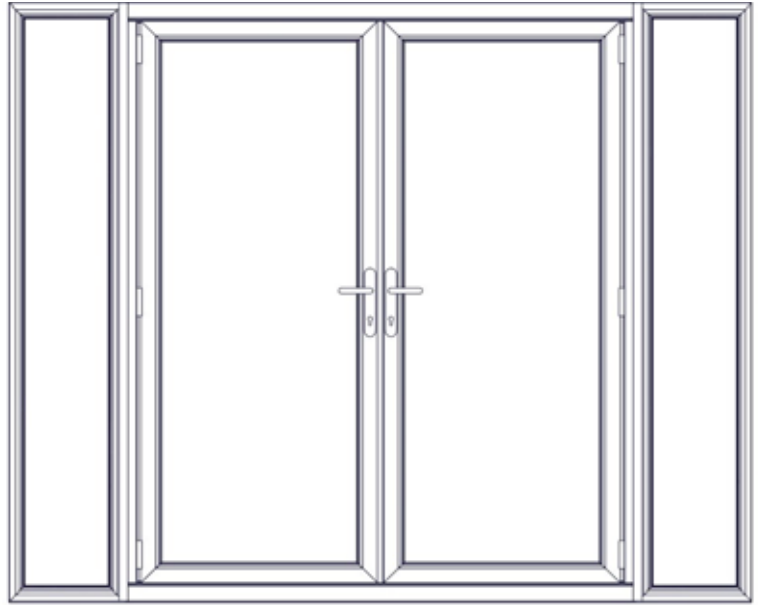


Using supplied screws, fix the window frame to the door jamb through the jamb packers

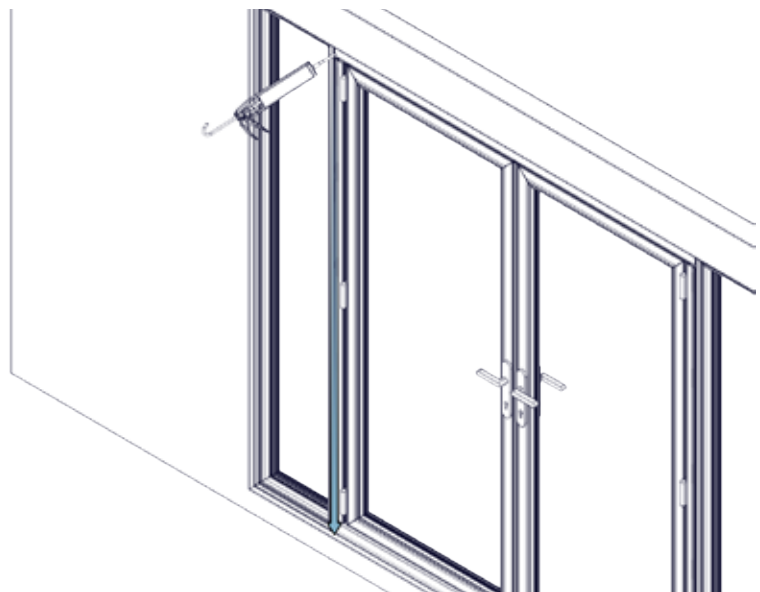


Window-to-jamb Coupler Installation Guide

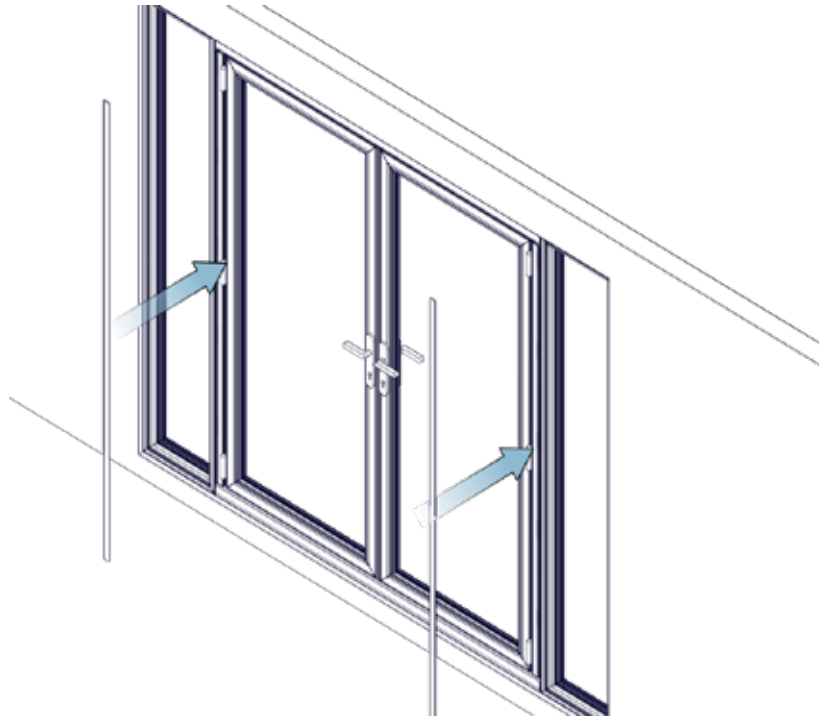
Install door sash, windows and glass as described in the Installation Guide



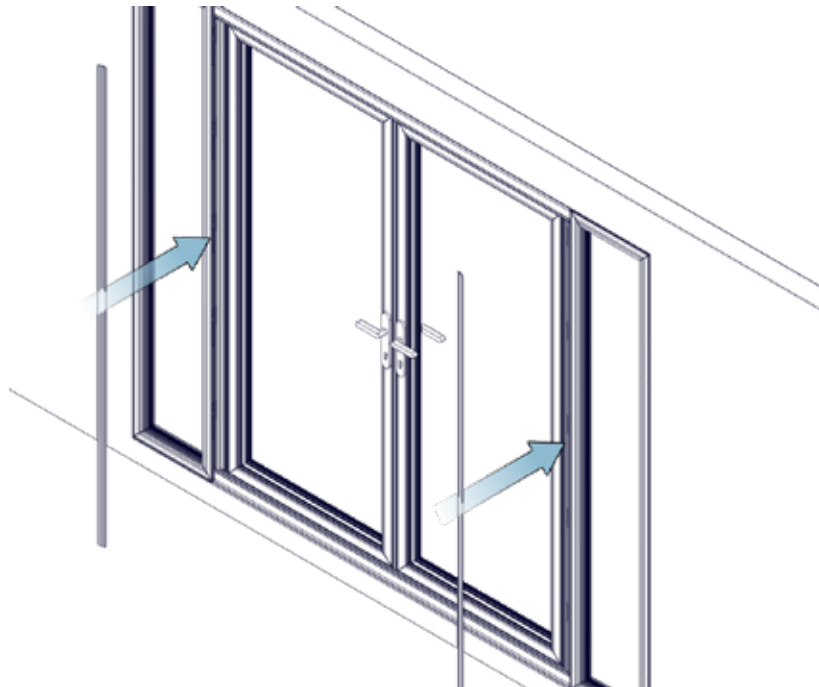
Seal the joint, between the window and door frame, making sure the joint is completely weatherproof



Cut and fit supplied
trim inside (flat) ...

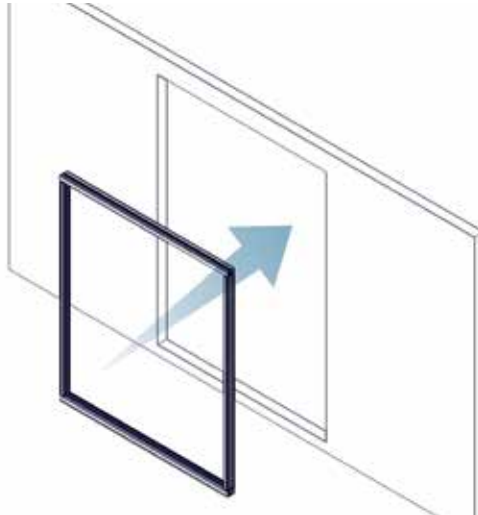


...and out (stepped)

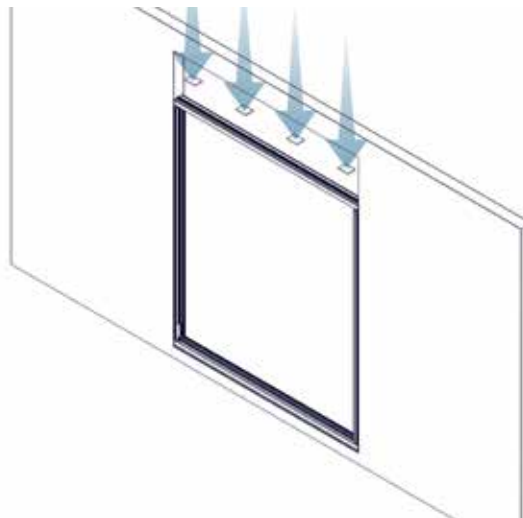


Window-to-track Coupler Installation Guide

Install door jambs and tracks as described in the Installation Guide

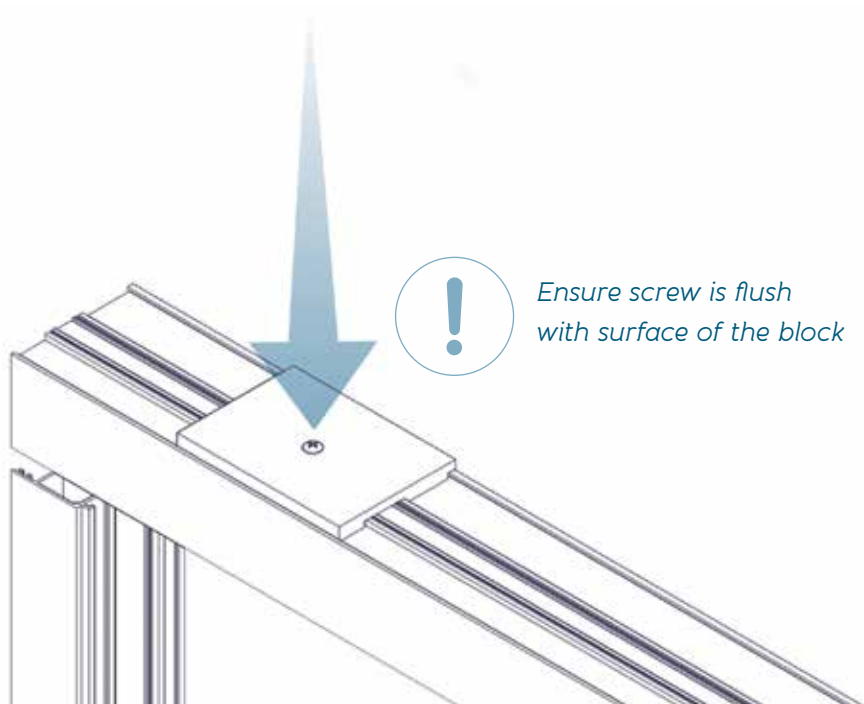
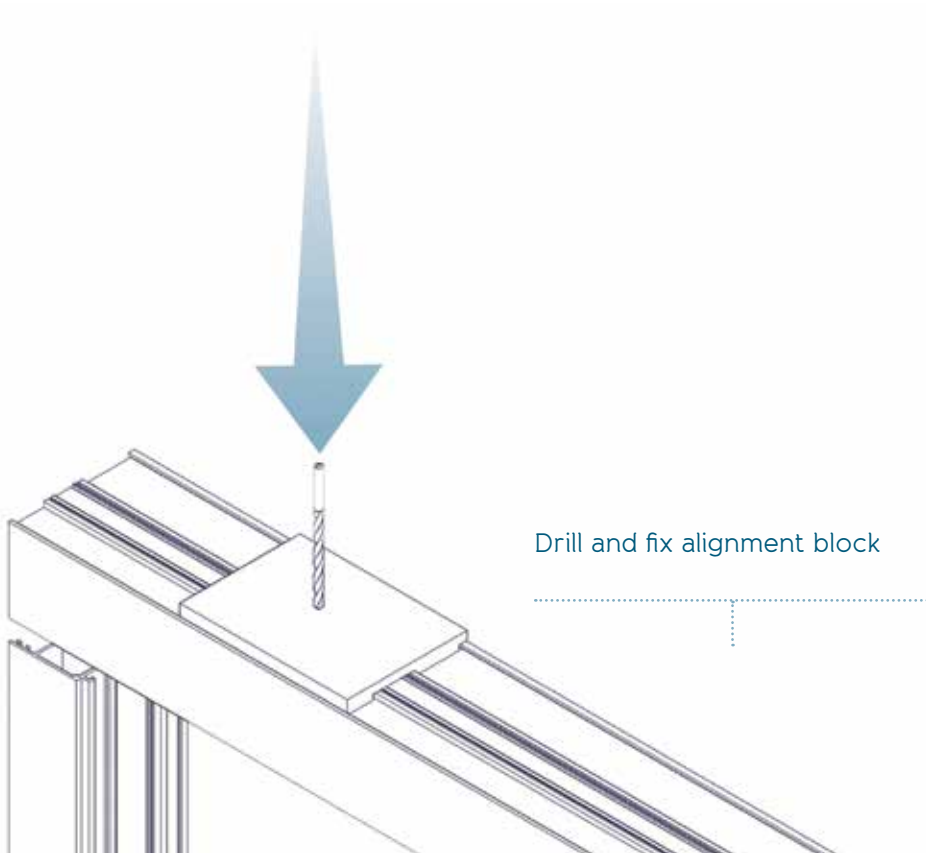


Place fixing blocks along the top track



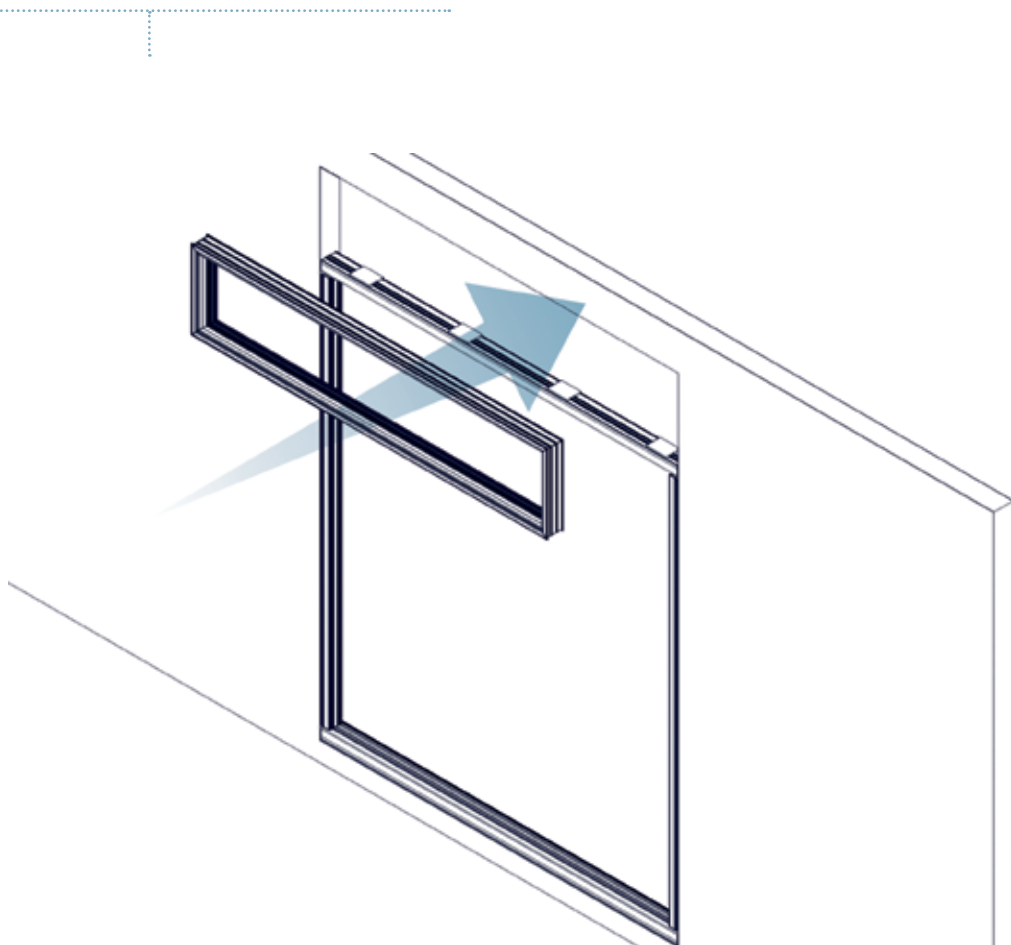
Ensure blocks are spaced evenly as shown



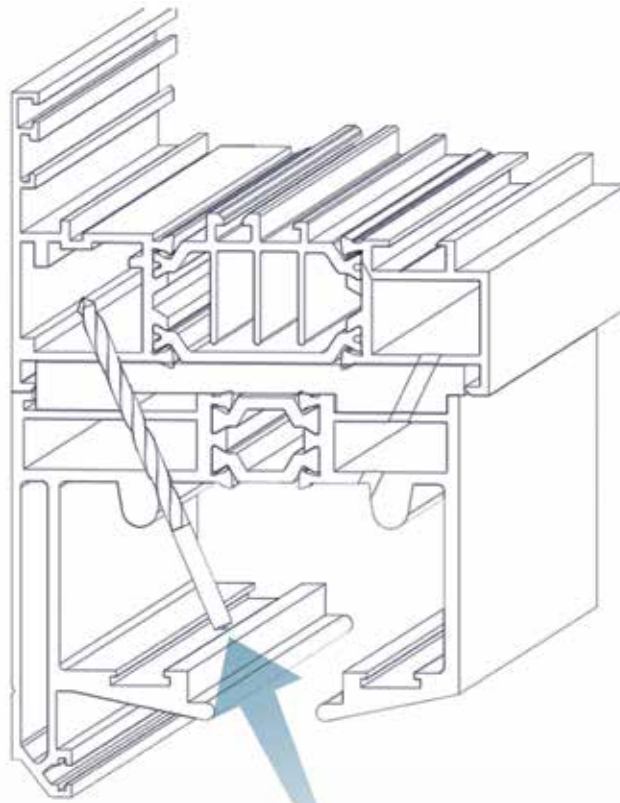


Window-to-track Coupler Installation Guide

Install window above the door using clamps/
windbags to secure into position

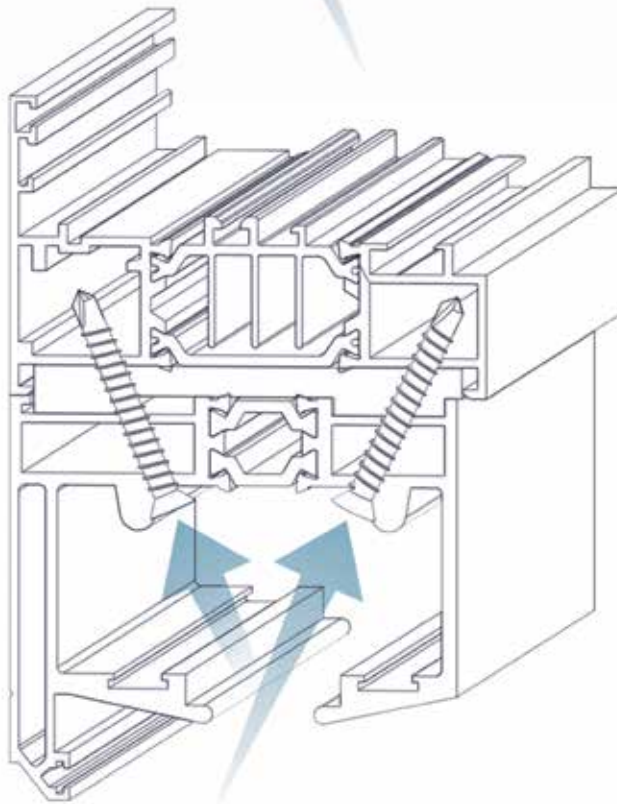


Pre-drill the frame with a 3mm long series drill bit as shown for every alignment block used



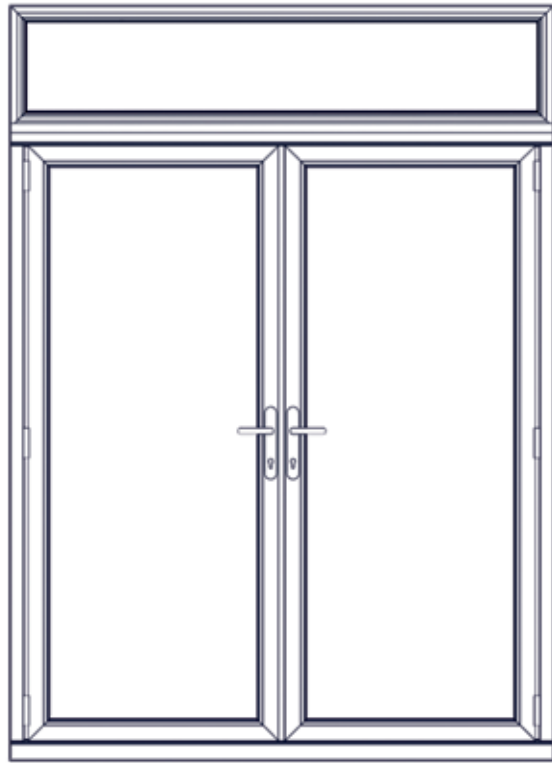
Do not drill into the window cavity

Using screws supplied, fix the track to the window frame



Window-to-track Coupler Installation Guide

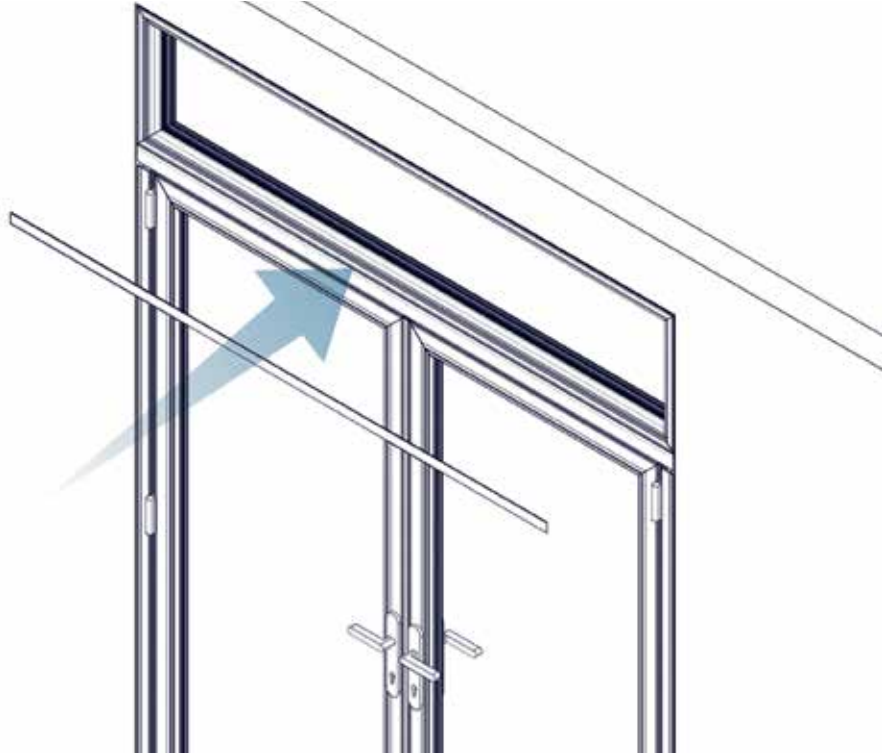
Install door sash,
window and glass
as described in the
Installation Guide



Silicone the joint between
the track and window
frame to ensure the joint is
completely weatherproof



Inside



Outside



Cut and fit supplied trim
inside (flat)
and out (step)



Accreditations...

At Origin, we pride ourselves on providing best quality products backed by best levels of service and efficiency. Put simply, our aim is to continuously learn, evolve and improve.

We are well known for having rigorously high standards in everything that we do. We're also known for innovation, but we never want to settle: if there's a way that we could do something better, we will find it.

This ethos has been instilled throughout Origin. Whether it's a process, product offering or even the company's sustainability, we have created a culture that encourages continuous improvement.

To demonstrate our commitment and as a way of measuring our performance, we work towards gaining certain prestigious accreditations. Our achievements show a strong moral and ethical intent in how we operate and how we try to do things the best way, not because we are told to do so, but because we think it is the right thing to do.

We'll run through some of these now.

ISO 9001 – Quality Management...

ISO 9001 is an international standard that assesses a company's quality management system. Having first achieved it in 2013, the fact that we still are certified means that we have a track record of consistently providing products and services that meet both customer and regulatory requirements.

It's something that we take very seriously and its influence is integrated into every process. Key areas of this include:

Product quality – To ensure a product's overall manufacture is flawless, we have checks in place to guarantee you the best quality. A few examples are:

- Supply chain – an inspection at the point of delivery and before going into manufacturing. If anything is spotted, it's documented and raised with the supplier.
 - Production – there are quality checks at every station, not only to look over the previous person's work, but to review the quality of the overall build.
 - Equipment – a robust maintenance schedule for machinery and equipment ensures consistency.
 - Pre-delivery – before it is packaged and loaded ready for delivery, there's another thorough check to ensure nothing's happened whilst being moved from station to station.
 - Feedback – as part of our mission to always innovate, whether it's from internal or external stakeholders, feedback is imperative. We are very proactive at bringing this type of information back into the business and learning, as it gives us an opportunity to improve.
-

- Training and development for our employees – meaning we’re better at understanding the good, the bad, and what we can do better.

Secured by Design...

Secured by Design (SBD) is a national, police-backed standard, associated with security and levels of performance for weather, operation and quality on domestic properties. The flagship UK police initiative was originally introduced to help ‘design out’ crime through the use of high-quality, innovative products and market-leading processes.

It recognises that our doors and windows have not only been tested to the required security standards, but that they also adhere to the rigorous test standards required by the police.

This independent certification involves initial testing of the products and regular re-tests, as well as inspections of our manufacturing and production facilities, to ensure the correct processes are maintained constantly over time, providing more secure and reliable products.

In order to be able to apply, we first needed to achieve:

1. PAS 24 (Enhanced Security)
2. BS EN 6375 Part 1 (Weathertightness)
3. BS EN 6375 Part 2 (Operational and Strength Characteristics)
4. BS EN 6375 Part 3 (Basic Security)
5. ISO 9001 (Quality Management)

We’re proud to say that our products passed every one and SBD, so you can feel secure by choosing Origin.

PAS 24...

This is your guarantee that the door sets and windows that we manufacture deliver the right level of security for the buildings they are intended to be part of.

Like most British Standards, PAS 24 is a minimum standard, and it is either a pass or fail test. There isn’t a performance scale for those that are more or less secure, so some of the products that pass will be stronger than the minimum requirement. That’s why we have become Secured by Design accredited. Because it’s a voluntary scheme, we feel it demonstrates our commitment to the security and overall performance of our products.

ISO 14001 – Environmental Management...

Now more than ever, we need to be aware of the impact our operations may have on our environment; the legal obligations we must adhere to, and ensuring we are doing things the right way.

The internationally renowned ISO 14001 accreditation measures the environmental management system that we have in place. It's a subject that's very close to our hearts, which is why working towards this standard was an easy decision.

We care about the resources we use for our products – where they come from and where they end up. To add to this, we aim to be zero waste to landfill and have already put into place many positive changes to make this happen. We want our customers to buy from us with a clear conscience and feel that ISO 14001 can prove that Origin is taking responsibility, acting ethically, legally and exercising best practice in all that we do. Our environmental management system covers:

- Waste management and energy targets – to reduce our consumption and impact on the environment
Helpful hints, tips and reminders are prompted to all staff regularly, so that they can join us in our goal and see how small changes to their work practices can have a big impact.
- Product design and lifecycle – recyclability and sustainability are a design priority for us.
- Supply chain – choosing suppliers that are aligned with our ethos and vision. This is applicable not only when bringing on new suppliers, but also working with existing ones to better their carbon footprint – whether that's minimising packaging, reusing or even our drivers picking up the materials on their routes, rather than a supplier sending their own fleet, we are constantly reviewing how we can improve.



Contact

Accounts

t 08448 802 371 or 01494 416 895 **e** Finance@origin-global.com

Marketing

t 08448 802 374 or 01494 416 897 **e** Marketing@origin-global.com

Sales Operations

t 0808 168 5816 or 01494 686 868 **e** OrdersNorth@origin-global.com

e OrdersSouth@origin-global.com

Solutions

t 08448 802 373 or 01494 416 896 **e** Solutions@origin-global.com

Fleet and Logistics

t 08448 802 378 or 01494 416 898 **e** Logistics@origin-global.com



Origin Global HQ, Stuart House, Castle Estate,
Coronation Road, High Wycombe
Buckinghamshire, HP12 3TA

t 0808 168 5816
e enquiry@origin-global.com
w www.origin-global.com

Origin Northern Centre of Excellence,
Taurus Park, Europa Boulevard, Westbrook,
Warrington, Cheshire, WA5 7ZT

t 01925 907 907
e enquiry@origin-global.com
w www.origin-global.com